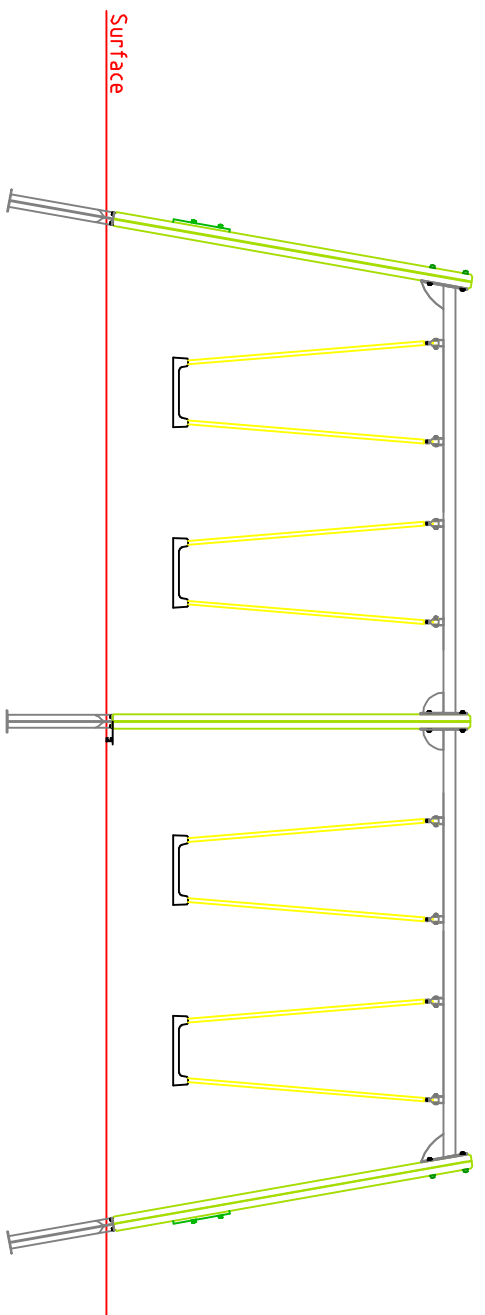
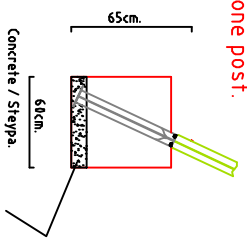
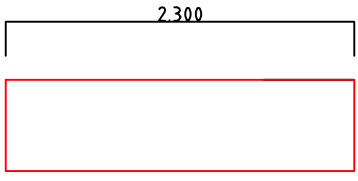


RevNo	Revision note	Date	Signature Checked
-------	---------------	------	-------------------

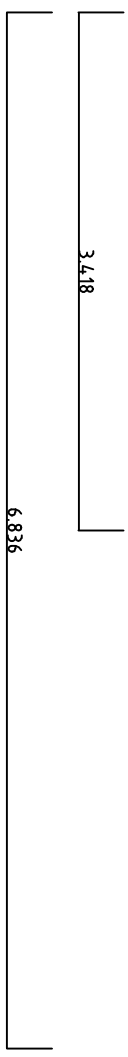


Holes for the posts.

Þrjár holur 65cm djúpar.  
Stærð pr. holu 230x60cm.  
Three 65cm. deep holes.  
Each 230 x 60cm.



A hole for one post.  
Notice:  
concrete surface must be at least 400mm below surface



113	Age+2	Dimension in mm.		Swing type 1	
Designed by H.T.	Checked by JRH.	Approved by - date HL05.09.2012	Filename KGU-113-05-R2	Date 05.09.2012.	Scale 1:30

Krumma ehf.		RÖLA/SWING-113	
KGU-113-05-R2		Edition 2	Sheet 5/6

