



HJÓLAGRINDUR / BICYCLE STANDS

Hjólagrindarbogi / Bicycle stand 1634:

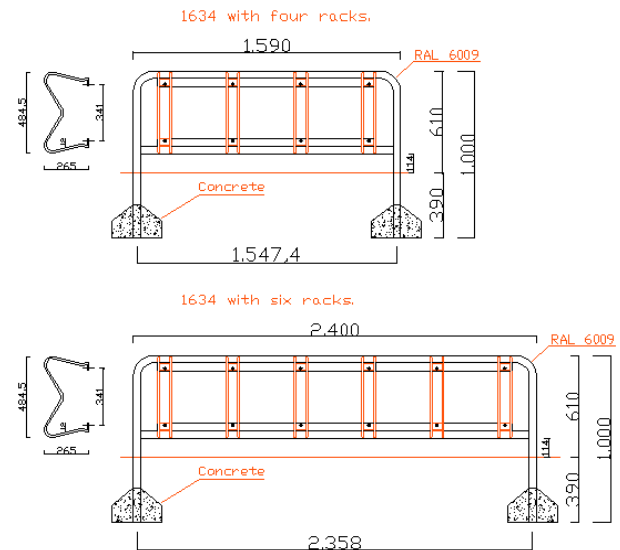


1634:

Bicycle stand for four or six bicycles. One of the benefits are at it's very easy to connect racks from both sides which mean double stand $4 = 8$ and $6 = 12$.

Standard colour RAL 6009.

Other colours available too according to customer's enquiries.



Hjólagrindarbogi / Bicycle stand 1650:



1650:

Single bicycle stand, which stand alone or connected to as many as required. Available in two versions.

- 1). Galvanised.
 - 2). Galvanised and painted
- Standard colour RAL 7015.

Other colours available too according to customer's enquiries.

