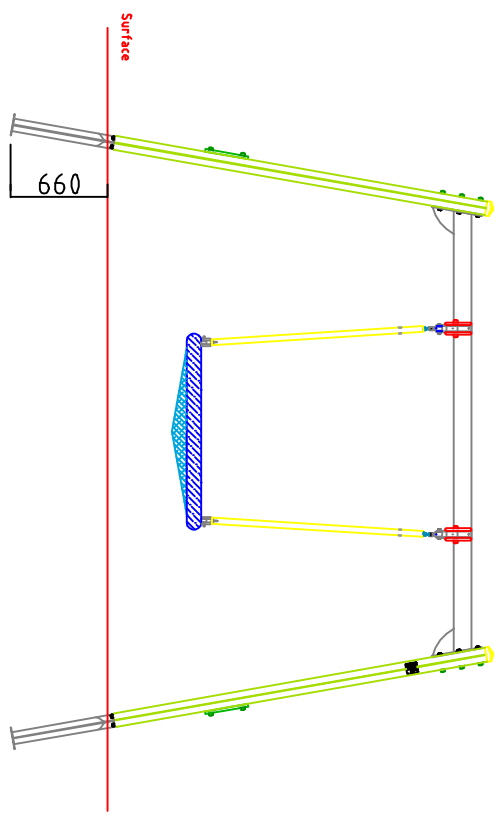
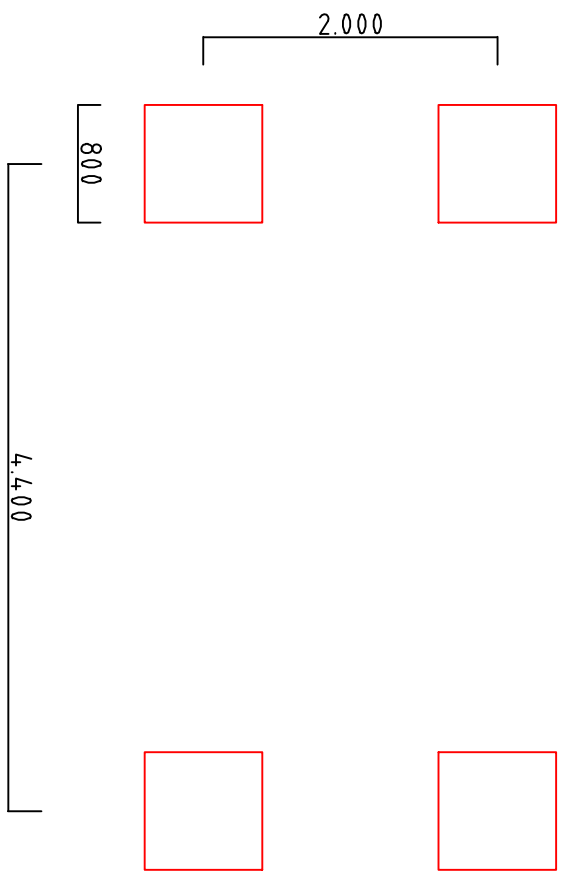


RevNo	Revision note	Date	Signature/Checked
-------	---------------	------	-------------------



Holur / Holes.
 Holubotn, þjöppuð grús. /
 Hole bottom pressed gravel.
 Stærð pr. holu / Size pr. hole.
 80 x 80cm. x 66cm. djúpi / deep.



104	Age + 2	EN1776-1-2	Dimension in mm.	Swing type 2	Scale
Designed by	Checked by	Approved by - date	Filename	Date	1:25
H.I.	H.I.	H.I.07.03.2013	KSP-104-01-02	07.03.2013	

Krumma ehf.

RÓLA/SWING-104

KSP-104-01-02 Edition 2 Sheet 1/5

