

# Play Tower, Cognitive & Creative

PCM100208



Item no. PCM100208-0936	
General Product Information	
Dimensions LxWxH	434x349x251 cm
Age group	2+
Play capacity (users)	17
Colour options	



This thrilling, activity packed play unit will appeal to children with its varied play activities. This will attract children again and again. The ladder forms a fast access for all to the slide. While waiting for their turn, the children can enjoy the lovely meeting space of the house, with fine tactile details. The clock panel is used in dramatic play, signalling time to players on

ground level. This encourages an understanding of numeracy, time and sequence. Sliding supports balance and posture, both important for managing the world securely. On ground level, play panels form a dramatic play space. The music panel stimulates the child's creativity and encourages turn-taking skills. The steering wheel and funnel

play panel is part of numerous dramatic play scenarios.



# Play Tower, Cognitive & Creative

PCM100208



## Play spheres

**Social-emotional:** can be played from both sides, encouraging cooperation.

**Cognitive:** cause and effect understanding.

**Creative:** leave a mark and place the spheres at different positions.



## Window

**Social-emotional:** invites interaction between sides and cooperative play.



## Xylophone music panel

**Social-emotional:** invites social interaction and co-creation for more children, on both sides.

**Cognitive:** understanding of cause and effect when striking tubes and creating sound.

**Creative:** the creation of different intensity and tonality stimulates creative skills.



## Slide

**Physical:** sliding develops spatial awareness and a sense of balance. Furthermore, the core muscles are trained when sitting upright going down.

**Social-emotional:** empathy stimulated by turn-taking.

**Cognitive:** young children develop their understanding of space, speed and distances when sliding down quickly.



## Clock panel

**Social-emotional:** cooperation with others on turning wheel, turn-taking, communicating with children on the other side.

**Cognitive:** learning about numeracy and time in a tangible way.

**Creative:** leaving your mark on the playground when setting clock differently.



## Accessible stairway

**Physical:** climbing the accessible stairway is for all and supports cross coordination as well as arm and leg muscles. For young children, walking stairs and alternating feet is developed.

**Social-emotional:** room for active breaks and adult helpers. An inclusive space.



## Gearshift and tube panel

**Social-emotional:** spurs group play and conversations with its two-sidedness.

**Cognitive:** supports dramatic play, which stimulates language skills. Communication skills when explaining functionalities. The passing of materials through funnels supports the children's logical thinking and the understanding of object permanence.

**Creative:** changing the position of the gear, leaving your mark.



# Play Tower, Cognitive & Creative

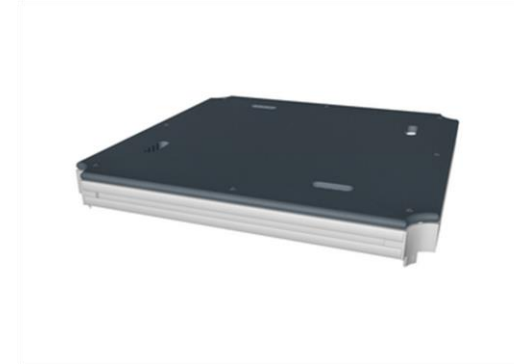
PCM100208



Panels of 19mm EcoCore™. EcoCore™ is a highly durable, eco friendly material, which is not only recyclable after use, but also consists of a core produced from 100% recycled post consumer material from food packing waste.



Main posts with hot dip galvanised steel footing are available in different materials: Pressure impregnated pine wood posts. Pre-galvanised inside and outside with powder coated top finish steel posts. Lead free aluminium with colour anodised top finish.



All decks are supported by unique designed aluminium profiles with multiple attachment options by usage of pressure moulded aluminium connectors. The HPL decks with a thickness of 17.8mm with a very high wearing strength and a unique KOMPAN nonskid surface texture.



The slides can be chosen in different materials and colours: Straight or curved moulded PE slides in yellow or grey colour. Full stainless steel in on-piece design for more vandalism proof solutions.



KOMPAN Play Systems can be customised to match individual demands. Visit the products [www.KOMPAN.com](http://www.KOMPAN.com) to see options with the digital KOMPAN Solution Planner. Multiple options for panels, decks, post, slides and other play activities ensures durable solutions in any outdoor environment.

Item no. PCM100208-0936	
Installation Information	
Max. fall height	118 cm
Safety surfacing area	32,8 m <sup>2</sup>
Number of installers	2
Total installation time	19,2
Excavation volume	0,49 m <sup>3</sup>
Concrete volume	0,00 m <sup>3</sup>
Footing depth (standard)	85 cm
Shipment weight	631 kg
Anchoring options	In-ground ✓ Surface ✓
Warranty Information	
EcoCore HDPE	Lifetime
Post	10 years
HPL decks	15 years
Spare parts guaranteed	10 years

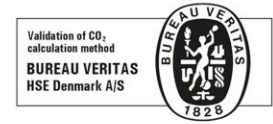




Cradle to Gate A1-A3	Total CO <sub>2</sub> emission	CO <sub>2</sub> e/kg	Recycled materials
	kg CO <sub>2</sub> e	kg CO <sub>2</sub> e/kg	%
<b>PCM100208-0936</b>	1.228,50	2,59	46,60

The overall framework applied for these factors is the Environmental Product Declaration (EPD), which quantifies "environmental information on the life cycle of a product and enable comparisons between products fulfilling the same function" (ISO, 2006). This follows the structure and applies a Life-Cycle Assessment approach to the entire Product stage from raw material through manufacturing (A1-A3))

**Kompan A/S**  
 C.F. Tietgens Boulevard 32C  
 DK-5220 Odense SØ  
 Denmark



### Validation of CO<sub>2</sub> calculation of: Play systems



Data version no. 2021-01-11

The CO<sub>2</sub> calculation and data are in compliance with the principles of a carbon footprint impact according to the GHG protocol (Greenhouse Gas Protocol), Scope 3, cradle to gate related to all individual components in the product category: "Play systems" represented by item no.: PCM200309-0010. (Scope 3 emissions include emission sources in the upstream and downstream value chain).

**Date: 15. October 2021 | Valid until: 15. October 2023**

**Validated by:**

Bente Hviid, Senior Consultant

Peter Bendtsen, Senior Consultant

Validation based on report: Validation of CO<sub>2</sub> calculation of play systems – Kompan, version 1.0, prepared by: Bureau Veritas HSE, Denmark: Bente Hviid and Peter Bendtsen.

**Publication date: 15. October 2021**

By Bureau Veritas HSE  
 www.bureauveritas.dk  
 +45 7731 1000



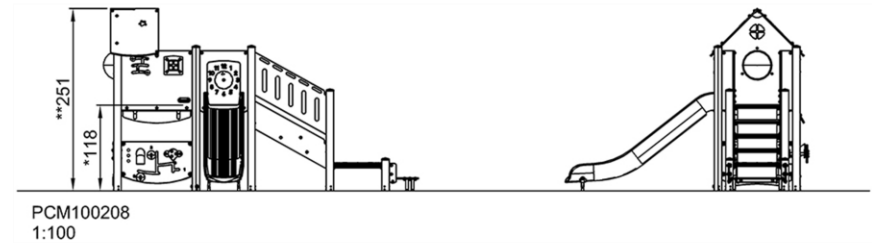
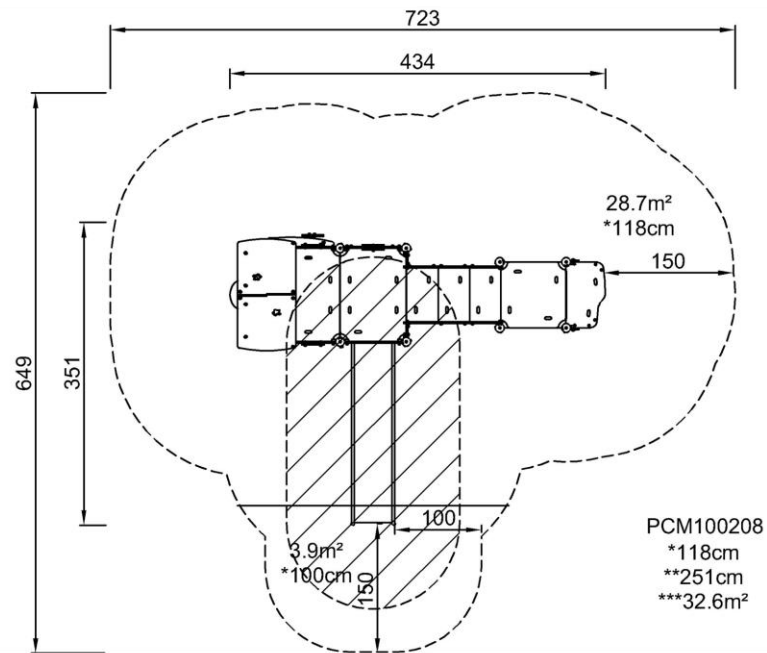


# Play Tower, Cognitive & Creative

PCM100208

\* Max fall height | \*\* Total height | \*\*\* Safety surfacing area

\* Max fall height | \*\* Total height



[Click to see 1:100 ratio TOP VIEW](#)

[Click to see 1:100 ratio SIDE VIEW](#)