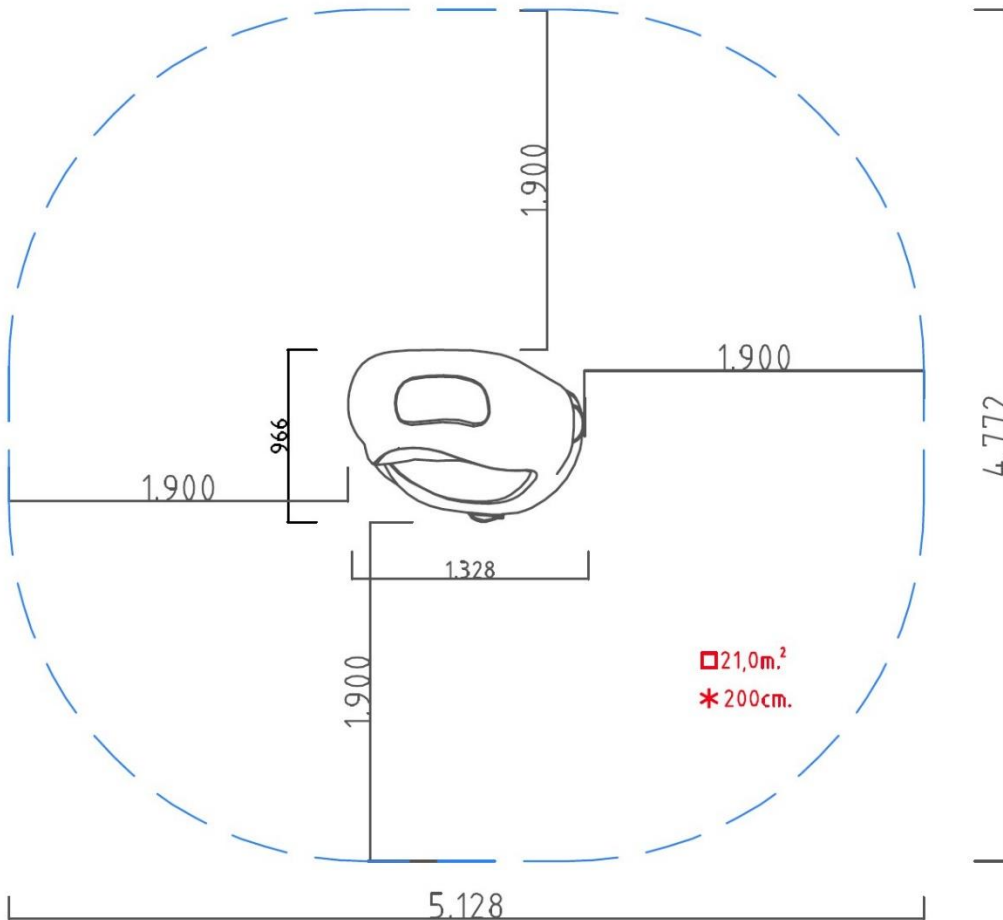


Technical Data Sheet  
**KRUMMA-Flow 2103**



<b>Product:</b>	KRU2103
<b>Product group:</b>	KRUMMA-Flow
<b>Age group:</b>	+3 years
<b>Certification:</b>	EN1176-1:2008 DTI & TÜV NORD
<b>Installation:</b>	3 hours x2 installers x1 hole
<b>Depth of hole:</b>	55 cm
<b>Size of hole:</b>	1,5 x 2,0 m
<b>Package:</b>	550 kg 5 m <sup>3</sup>
<b>Longest part:</b>	2,0 m
<b>Highest part:</b>	2,0 m
<b>Heaviest part:</b>	450 kg



KRUMMA ehf.