

ROBINIA RB1207



2+



21 kids



45,0 m²



Material specification

- Construction made of Robinia - very durable acacia wood with a diameter of ~ 18 cm without sharp edges, resistant to weather conditions,
- Platforms, gangways, side panels and seats made of Robinia - very durable acacia wood, resistant to weather conditions,
- Roofs made of Robinia - very durable acacia wood without sharp edges, resistant to weather conditions
- Slides made of stainless steel,
- Moving elements made of durable HPL plate, resistant to weather conditions,
- Windows made of HPL plate resistant to weather conditions,
- Bridge made of safe, certified rubber with textile reinforcement,
- Steel ropes in polypropylene braid, connected with durable aluminum, stainless steel and/or plastic elements,
- Calibrated stainless steel chains, preventing fingers entrapment,
- Screws covered with plastic caps and/or stainless steel screws,



Facilitating disability



easy access



integration



Intellectual development



manipulation



sensorics



thinking



Physical development



balance



hiding



sliding



rest



climbing





2
number of towers



1
number of slides



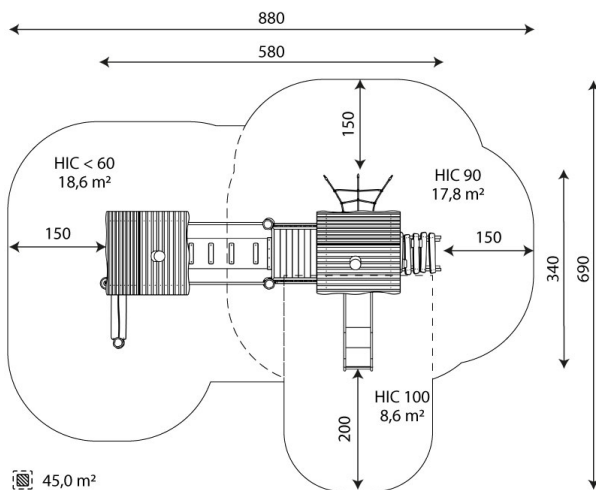
2
number of roofs



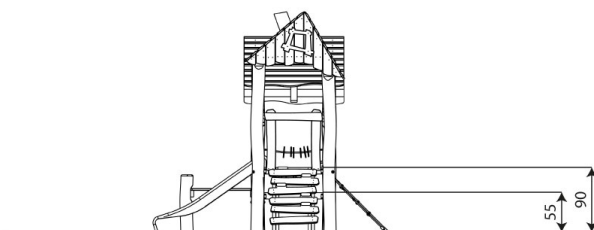
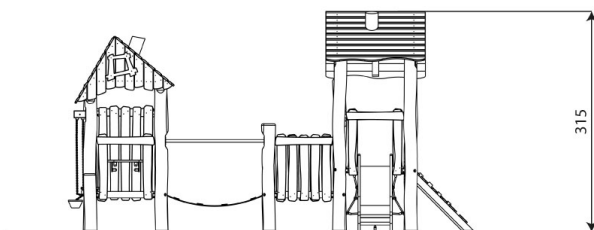
2
number of interactive elements



2
number of activity elements



45,0 m²



Product technical sheet

ROBINIA RB1207

Product data

Length	580 cm
Width	340 cm
Total height	315 cm
Age group	2+ years
Number of users	21 kids
Safety zone	45,0 m ²
Free fall height	90 cm
The height of the platforms	55, 90 cm
In accordance with norm EN	1176-1:2017
Weight of the heaviest part	70 kg
Dimensions of the largest part	310x18x18 cm
Availability of spare parts	YES
Installation time	7,5 h

Data is subject to change without prior notice.

Additional information

- equipment adapted for the disabled; intended for public playgrounds;
- equipment has a certificate issued by an accredited entity or a declaration of conformity;
- no sharp edges or chinks that would pose a danger of jimmieing the head, fingers or any other body parts;
- anchoring on flat surface, 80/70/60 cm deep;
- slide should not be installed southwards;
- render is for reference only, the actual appearance of the equipment and its color may vary;

Guarantee

30

30 year guarantee - Structural strength of steel and stainless steel components

15

15 year guarantee - Structural failure of steel and stainless steel, for dynamic equipment

10

10 year guarantee - Structural failure of high density polyethylene and high pressure laminates components

5

5 year guarantee - Corrosion of stainless steel and hot dip galvanized and powder coated components; against bark beetles and rot in case of wooden structural elements

Detailed information in the guarantee card

Vinci Group Sp. z o.o.
Seminarnyja 9 Street
99-400 Łowicz

VAT: 534-250-14-46
PHONE: +48 42 203 24 99 ext. 26
M: +48 793 404 991



biuro@vinci-play.com
info@vinci-play.com
www.vinci-play.com

Surfaces according to EN 1176-1:2017

	Description (mm)	Layer thickness (cm)	Maximum fall heights (cm)
Turf/ top layer of soil (A,B,C)	-	-	≤100
bark (A,C)	Particle size from 20 to 80	30	≤200
		40	≤300
woodchips (A,C)	Particle size from 5 to 30	30	≤200
		40	≤300
sand or gravel (A,C)	Particle size from 0,25 to 8	30	≤200
		40	≤300
synthetic attested (A,B,C)	Tested according to EN 1177		100

Product technical sheet

ROBINIA RB1207

Amount of safe surface corresponding with free fall height:

HIC <60	18,6 m ²
HIC 90	17,8 m ²
HIC 100	8,6 m ²

Data is subject to change without prior notice.

