

Certified by TÜV according to  
EN 1176 (playground equipment)  
and EN 16630 (fitness equipment)



## RAMPBOW™ BALANCE ARCH

<b>Description:</b>	Balance device with powder coated surface. The balance archs are preferably placed in pairs.	
<b>Activity:</b>	Creative physical activity that stimulates balance and gross motor skills.	
<b>Materials:</b>	Made of stainless wholly welded and powder coated steel. Delivered in standard colour RAL 6011 Reseda green. Other colors are optional.	
<b>Mounting:</b>	Prepared for mounting on concrete foundations. Delivered with expansion bolts. Mounting time approx. ca 30 min, 2 persons.	
<b>Dimensions :</b> (one arch)	<i>Mounted on wet pour ground covers or artificial grass</i>	
	Length	532 cm
	Height	106 cm
	Weight	42 kg
	<i>Mounted on grass or loose fill ground covers</i>	
	Length	474 cm
	Height on loose fills	106 cm
	Height on grass	100 cm
	Weight	47 kg
	Steel tube diameter	11,4 cm
<b>Area</b>	1 arch	24 m <sup>2</sup>
	2 archs mirrored setup	31 m <sup>2</sup>
	2 archs serial setup	40 m <sup>2</sup>
<b>Safaety area:</b>	150 cm distance from the device. Can share safety area with other equipment.	
<b>Fall height:</b>	107 cm	



Multiple users can play on the arch simultaneously.

Rampbow™ stimulates **varied physical play** that challenges balance, gross motor skills and strength.



Provides good opportunities for **improving skills**. The user can challenge themselves to balance higher up on the beam each time.

"The **friendly arch shape** has aesthetic qualities that make it fit in most places.



Two units can be placed either in a **mirrored or serial setup**.

Age range from **4 years and up**.

## SUITABLE GROUND COVERS

Wet pour rubber or cork

Grass/reinforced grass

Paving stones

Artificial grass

Sand

Wooden deck

Wood chips

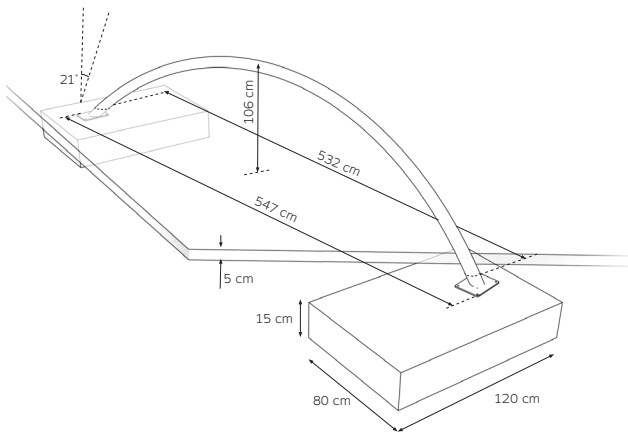
## MOUNTING ON DIFFERENT TYPES OF GROUND COVERS

To be mounted on concrete foundations with expansion bolts (supplied at delivery).

### MOUNTING ON WET POUR GROUND COVERS OR ARTIFICIAL GRASS

Rampbow™ will have fall height of 106 cm when mounted on wet pour ground covers or artificial grass.

Mounting depth: 5 cm.

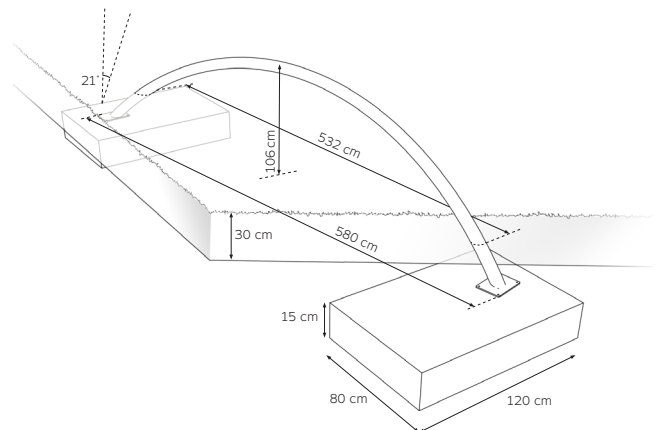


### MOUNTING ON GRASS OR LOOSE FILL GROUND COVERS (wood chips, sand etc.)

Rampbow™ will have fall height of 106 cm when mounted on loose fill ground covers.

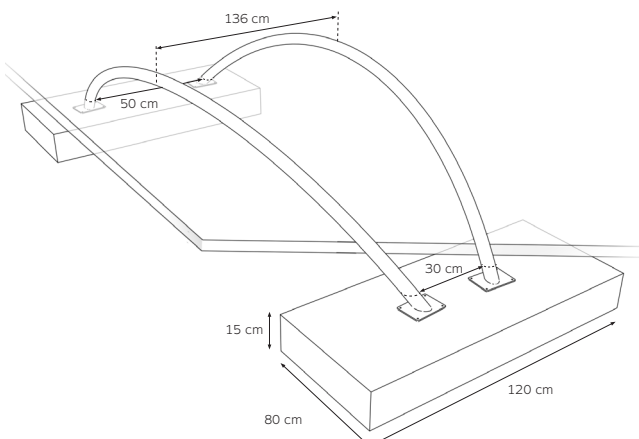
When mounted on grass the ground level under the highest part of the arch will have to be heightened slightly in order to keep the fall height at a 100 cm maximum.

Mounting depth: 30 cm

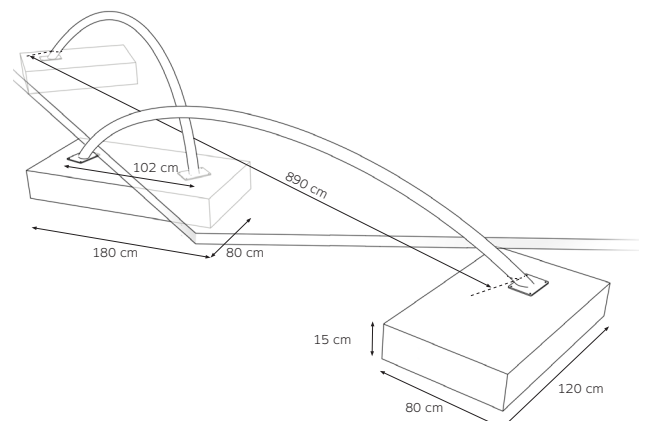


## SETUP IN I PAIRS

### MIRRORED SETUP



### SERIAL SETUP



## FOUNDATION

Minimum dimensions of foundations: 80 x 120 cm, 15 cm height

Center foundation for serial setup: 80 x 180

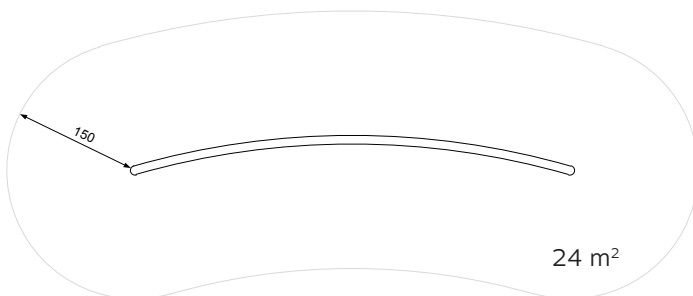
Minimum concrete grade: B30

## SAFETY AREA

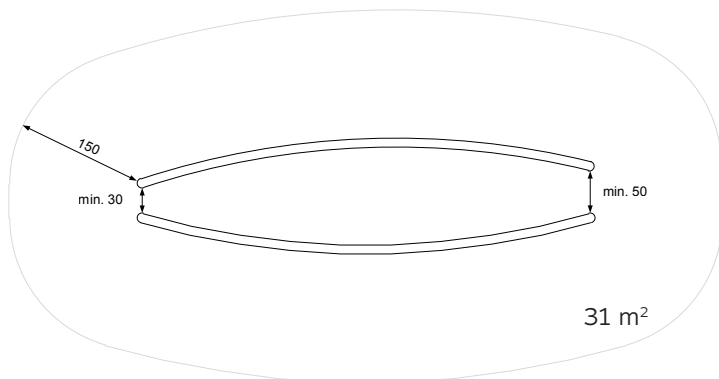
Rampbow™ requires 150 cm safety area.

The device can share safety area with other equipment (EN 1176-1:2017).

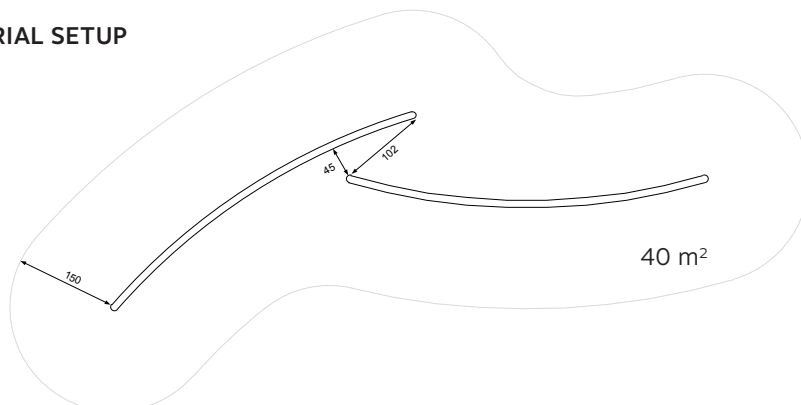
Measurements in cm



### MIRRORED SETUP



### SERIAL SETUP



## SUSTAINABILITY AND THE ENVIRONMENT

Rampline's products are designed for long term use with easy access for replacing individual parts.

The materials in use are mainly sustainably manufactured natural rubber, non-toxic recycled rubber as well as steel manufactured with zero-carbon energy.

→ Read more at [rampline.com/responsibility](https://rampline.com/responsibility)



### THE MOTOR SKILL PARK

Rampbow™ is suitable as a part of Rampline's motor skill park concept, where equipment is combined in groups and courses.

The motor skill park provides more ways in which the equipment can be used, and effectively triggers play and physical activity.

→ See motor skill park samples at [rampline.com/motorskillparks](https://rampline.com/motorskillparks)

⊕ Rampline can help you develop an exciting activity area adapted to the user group in mind.

Get in touch with us on [contact@rampline.no](mailto:contact@rampline.no)