



Certified by TÜV according to
EN 1176 (playground equipment)
and EN 16630 (fitness equipment)



FUNGI™

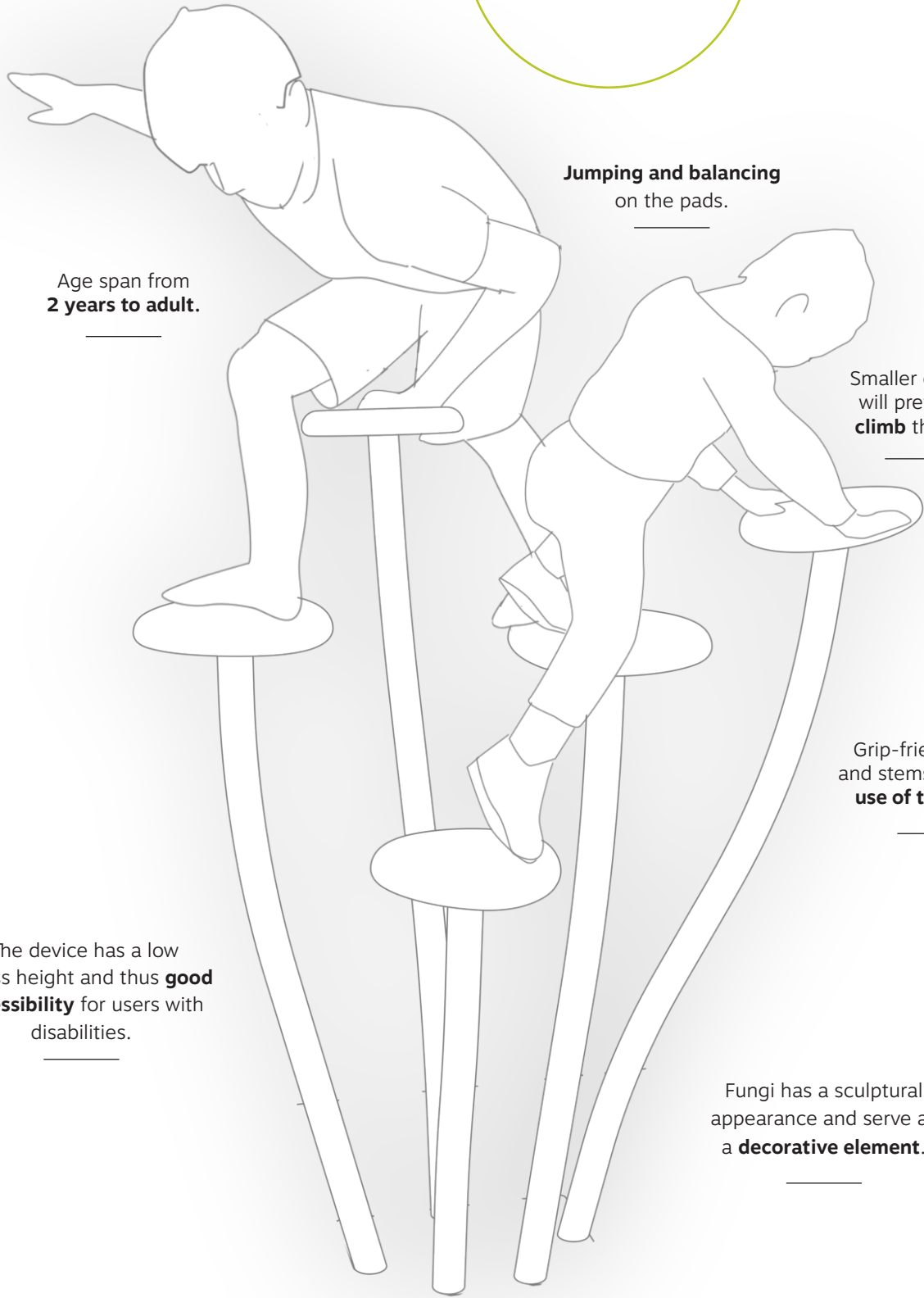
BALANCE AND CLIMBING MUSHROOM

Description:	Decorative device with many uses. The balance pads are covered with shock-absorbing and grip-friendly rubber.
Activity:	Climbing for smaller children. Balance play and recreation activities for all age groups.
Materials:	Pads and stems of powder coated stainless steel. Pads covered with 22 mm natural rubber.
Mounting:	Mounted to a concrete foundation with expansion bolts (included). Mounting time approx. 30 min.
Version:	2 versions: 3 or 5 balance pads.
Safety area:	150 cm distance from the device. Can share safety areas with other equipment.
Multiple units:	Multiple Fungi can be placed in a group with a minimum distance of 23 cm.
Fall height:	73 - 93 cm, see heights on page 3

→ For further information, downloads, prices etc, please visit rampline.com/en/fungi



Fungi™ triggers physical play that challenges **balance and coordination.**



Jumping and balancing on the pads.

Age span from **2 years to adult.**

Smaller children will preferably **climb** the pads

Grip-friendly pads and stems invites the **use of the hands.**

The device has a low access height and thus **good accessibility** for users with disabilities.

Fungi has a sculptural appearance and serve as a **decorative element.**

VERSIONS



FUNGI™ 3

Length: 73 cm **Width:** 48 cm

Height/fall height: 73 cm

Weight: 15 kg

Area: 14,3 m²



FUNGI™ 5

Length: 90 cm **Width:** 83 cm

Height/fall-height: 93 cm

Weight for wet pour ground covers or artificial grass: 31 kg
for grass or loose fill ground covers: 40 kg

Area: 14,3 m²

SUSTAINABILITY AND THE ENVIRONMENT

Rampline's products are designed for long term use with easy access for replacing individual parts.

The materials in use are mainly sustainably manufactured natural rubber, non-toxic recycled rubber as well as steel manufactured with zero-carbon energy.

→  Read more at rampline.com/responsibility

SUITABLE GROUND COVERS

Wet pour rubber or cork

Grass/reinforced grass

Paving stones

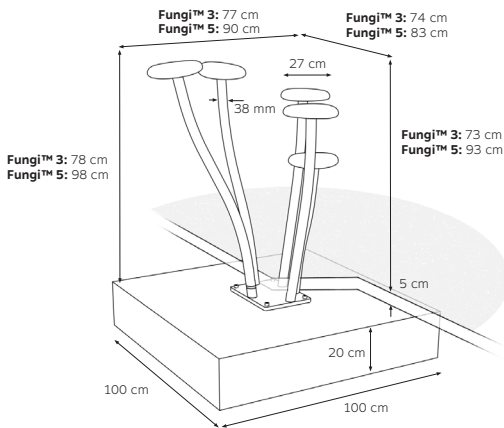
Artificial grass

Sand

Wooden deck

Wood chips

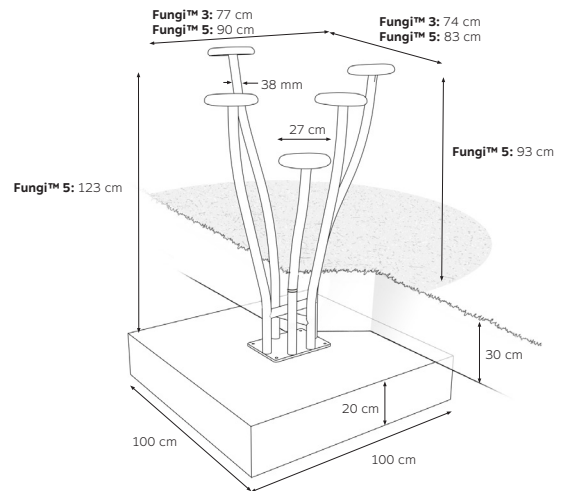
MOUNTING ON DIFFERENT GROUND COVERS



MOUNTING ON WET POUR GROUND COVERS OR ARTIFICIAL GRASS

Fungi is mounted on a concrete foundation with expansion bolts (included).

Mounting depth: 5 cm



MOUNTING ON GRASS OR LOOSE FILL GROUND COVERS

(Wood chips, sand etc.)

An extended version (Fungi 5 only) is used for grass or loose fill ground covers. The device is mounted on a concrete foundation with expansion bolts (included).

Mounting depth: 30 cm

FOUNDATION

Foundation size: 100 x 100 cm minimum, thickness 20 cm

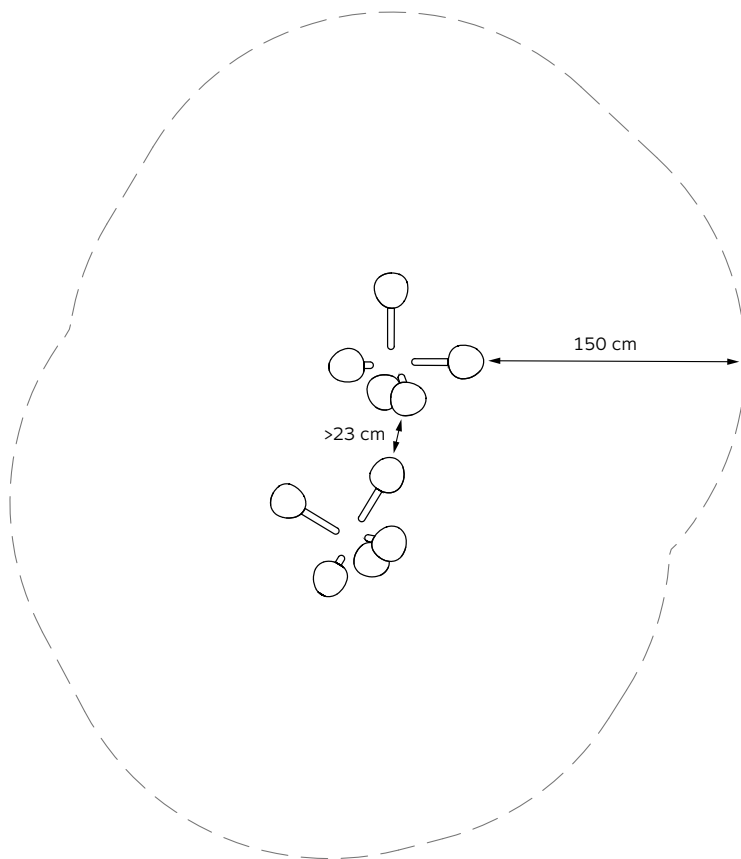
Concrete grade B30 minimum

SAFETY AREA, FALL HEIGHT, MULTIPLE UNITS IN A GROUP

Fungi™ requires a safety area of 150 cm distance from the device, with a shock absorbing ground cover approved for a 100 cm fall height.

The device can share safety area with other equipment.

Multiple units can be placed in a group with a minimum distance between units of 23 cm.



THE MOTOR SKILL PARK

Fungi™ is suitable as a part of Rampline's motor skill park concept, where equipment is combined in groups and courses.

The motor skill park provides more ways in which the equipment can be used, and effectively triggers play and physical activity.

→ See motor skill park samples at rampline.com/motorskillparks

⊕ Rampline can help you develop an exciting activity area adapted to the user group in mind.

Get in touch with us on contact@rampline.no