



MOUNTING BALANCEBUDDY™

Balance beam with natural rubber top.

4 versions: straight 216/316 cm and inclined 216/316 cm

rampline®

The product is developed and assembled by Rampline AS in Norway

rampline.com

BalanceBuddy™ is certified by TÜV according to EN 1176-1:2017 and EN 16630:2015

CONTENT

| | |
|--|---|
| About the product | 3 |
| Product parts | 5 |
| Safety zone and distances | 4 |
| Content in the package | 5 |
| Concrete foundation | 5 |
| Equipment needed | 5 |
| Mounting on wet pour covers or artificial grass | 6 |
| Mounting on grass or loose fill ground covers | 7 |
| Mounting | 8 |

ABOUT THE PRODUCT

BALANCEBUDDY™

BalanceBuddy™ is designed for use by all age groups in public spaces meant for physical play and activity, like schoolyards, urban spaces, parks etc.

The device is made of 45 mm Accoya wood, with a natural rubber top and braces of powder coated stainless steel.

MOUNTING

The product is delivered ready for mounting on a concrete foundation. When mounting on loose fill ground covers or grass a device with extended braces (legs) is used.

Mounting time approx. 30 min, 1 person.

SAFETY

A safety area of 150 cm is required. A shock absorbing ground cover approved for a 100 cm fall height is recommended.

The product is certified by TÜV according to EN 1176-1:2017 and EN 16630:2015

INCLUSIVE DESIGN

The product is designed to be accessible and fun for all users, including users with disabilities. Rampline recommends using a ground cover that does not obstruct anyone in accessing the device. Avoid edges or steps etc. that may pose hindrances for some users. Read more about inclusive design and our products at rampline.com.

OWNER'S AND INSTALLER'S RESPONSIBILITY

Only parts delivered with the product shall be used. Rampline is not responsible for errors or damages as a result of the use of components not delivered by Rampline AS.

The owner is obliged to comply with the imposed safety requirements for the device.

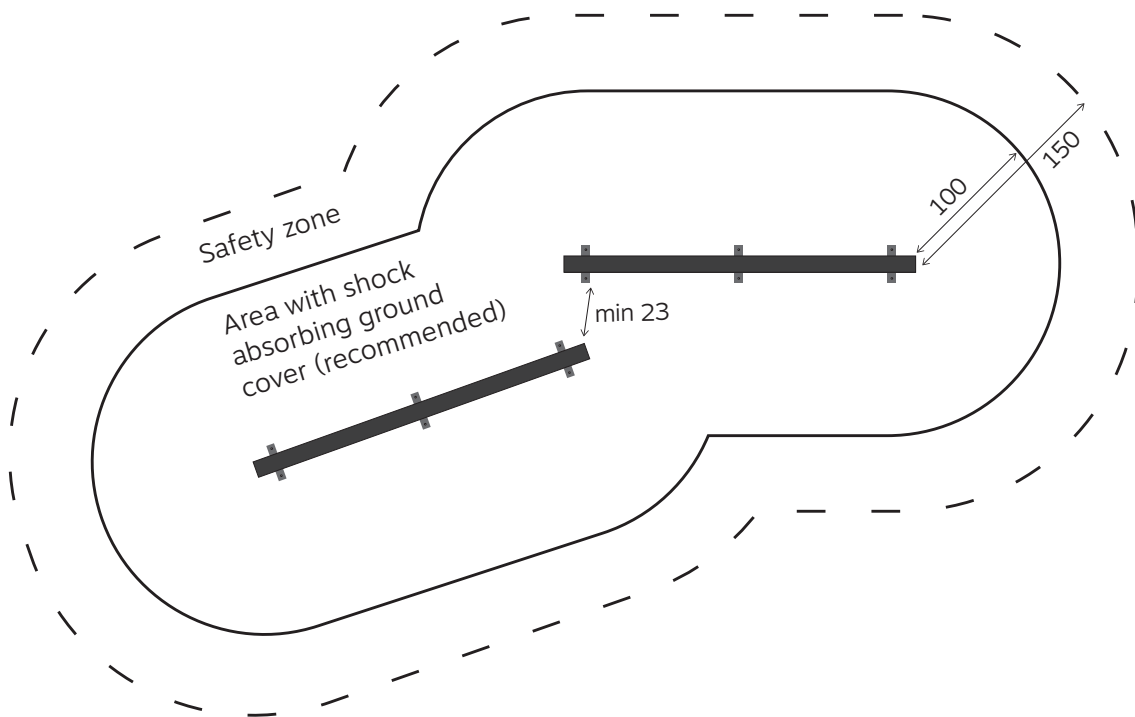
SAFETY ZONE AND DISTANCE

Balancebuddy™ requires a 150 cm safety zone.

Even though the fall height is below 60 cm a shock absorbing ground cover approved for 100 cm fall height is recommended, within 100 cm distance from the device. The device can share safety zone with other equipment.

Multiple Balancebuddy can be placed in a group with a minimum distance between units of 23 cm.

Measures in cm.



CONTENT IN THE PACKAGE

- 1 x Balancebuddy device

Attachment bolts:

Versions for mounting on wet pour cover or artificial grass:

- 216 cm straight/inclined: 6 pcs 10x90 mm
- 316 cm straight/inclined: 8 pcs 10x90 mm

Versions for mounting on grass or loose fill ground covers:

- 216 cm straight: 7 pcs 10x90 mm
- 316 cm rett: 9 stk 10x90 mm

CASTING THE CONCRETE FOUNDATION

IMPORTANT:

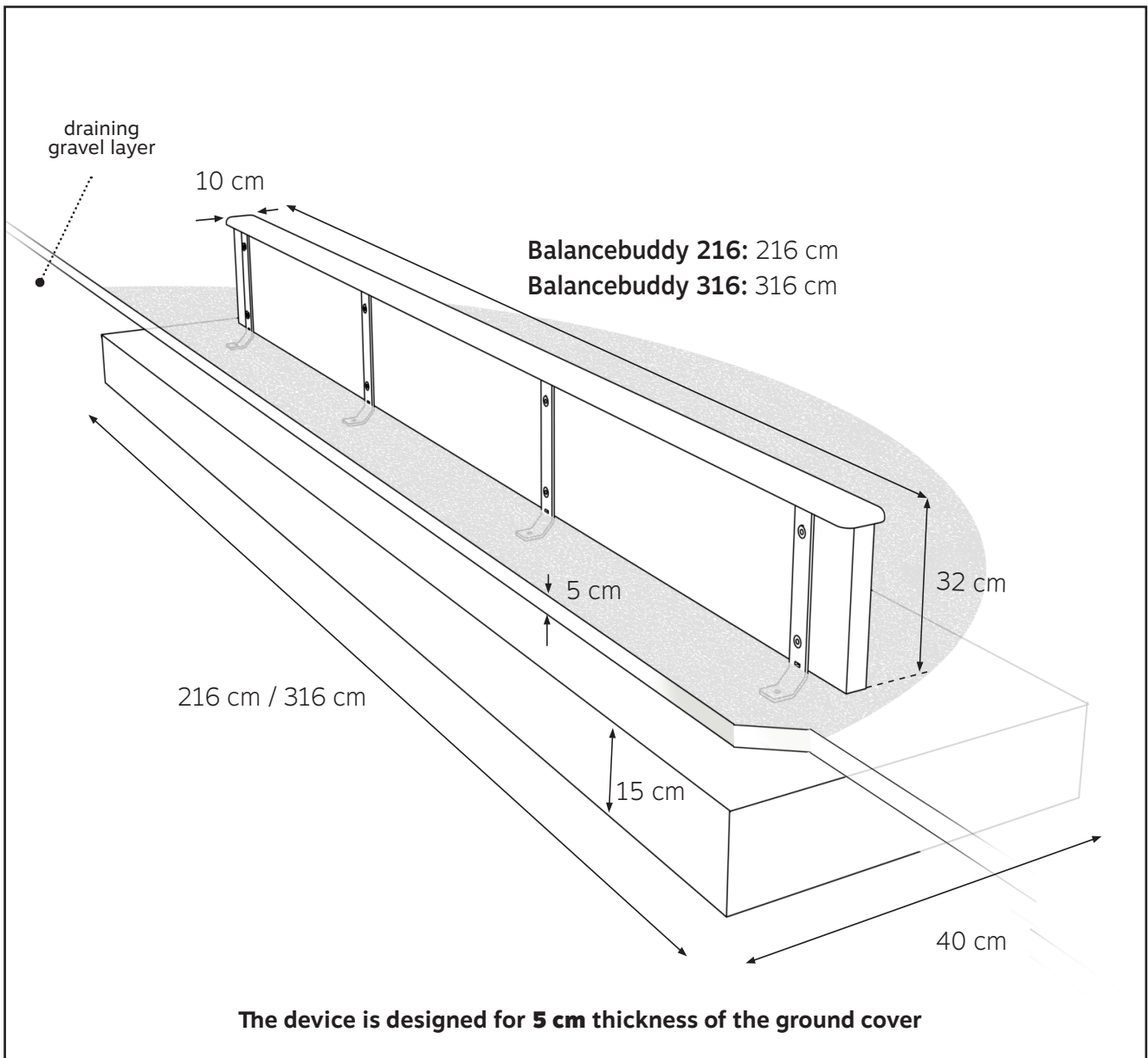
- Use concrete grade minimum B30
- Never make the foundation smaller than the minimum required size.
- Even the concrete with a trowel to get a smooth surface at the attachment point.
- Let the concrete harden for at least 7 days before the device is attached to the foundation.

EQUIPMENT NEEDED FOR MOUNTING

- Drill with 10 mm stone drill bit
- Small sledge hammer
- Socket wrench 17 mm

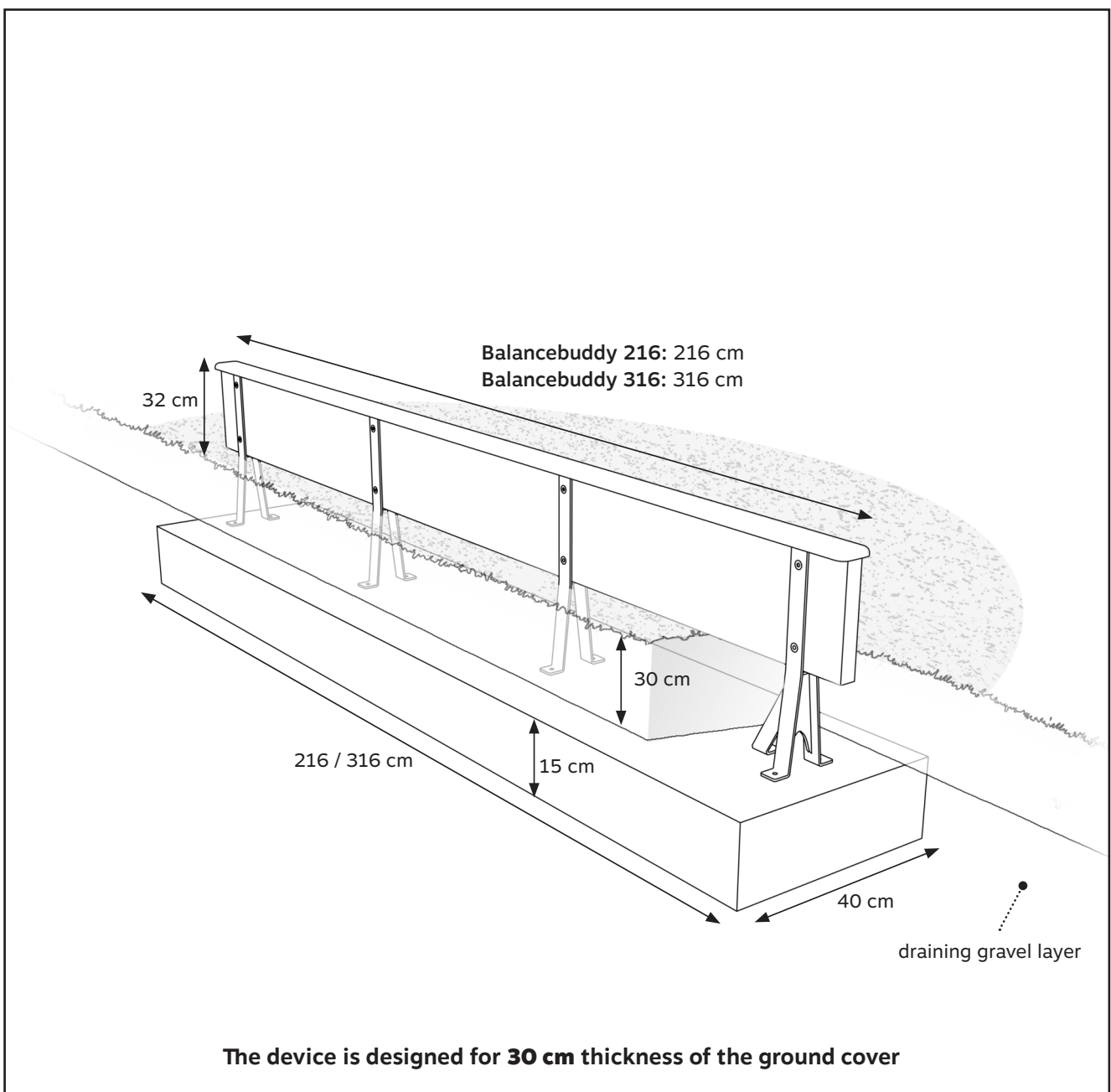
WET POUR GROUND COVERS OR ARTIFICIAL GRASS

Principle drawing for the Balancebuddy™ mounted on wet pour ground covers or artificial grass.

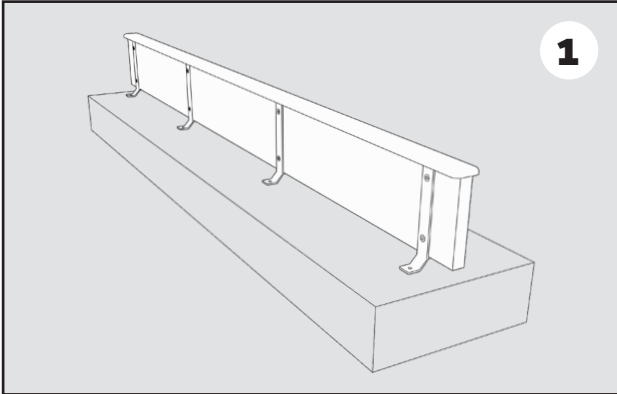


GRASS OR LOOSE FILL GROUND COVERS

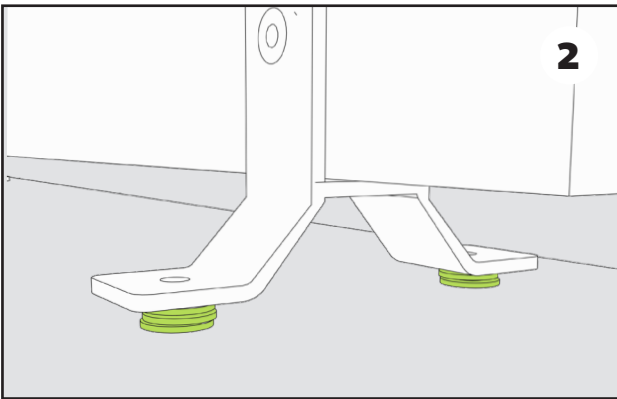
Principle drawing for the Balancebuddy™ with extended braces, mounted on grass or loose fill ground covers.



MOUNTING

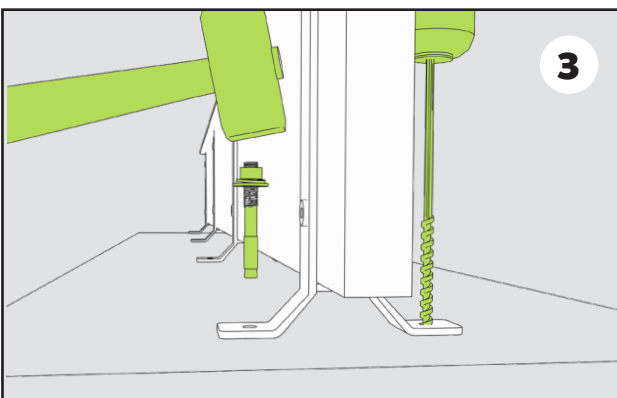


Place the device on the foundation.



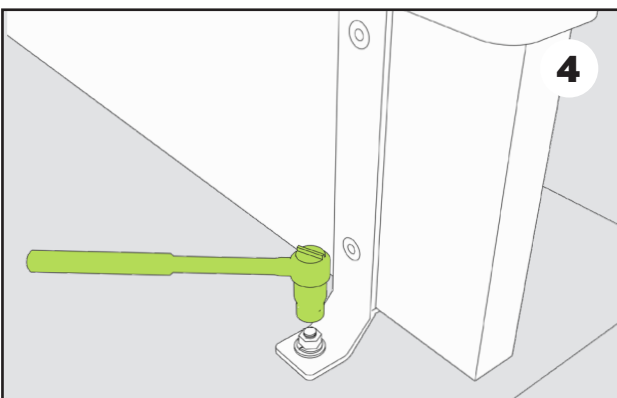
Put shims at the attachment points where needed.

If the foundation is uneven, put washers under the braces to obtain contact with the foundation.



Attach the bolts.

Drill holes for the bolts. Add nuts and washers to the bolts and hammer them down with a small sledgehammer.



Tighten with a spanner.

Repeat for each bolt.