



MOUNTING RAMPIT™ STORM

Rampit™Storm, 4 meter climbing pole with a sound generator at the top.

rampline®

The product is designed and manufactured by Rampline AS in Norway

rampline.com

Certified by TÜV according to EN 1176-1:2017 and EN 16630:2015

CONTENT

About the product	3
Safety area and foundation	4
Content in the package	5
Equipment needed	5
About casting the foundation	5
Casting and and mounting	6
Placement on wet pour ground cover	7
Placement on loose fill ground covers	8

ABOUT THE PRODUCT

Rampit Storm™ climbing pole is designed for climbing and other physical activities in public outdoor areas for all age groups from school age and up. Rampit Storm is made of stainless powder-coated steel and has an integrated mechanical sound generator at the top.

ASSEMBLY:

The product is prepared for installation with anchoring to concrete foundation and is designed for installation in fully casted fall protection and loose substrate. Formwork can be ordered from Rampline. Assembly time is approximately 1 hour, 2 persons.

SAFETY:

The device requires a 200 cm safety area with an ground cover with shock absorbing properties approved for a critical fall height up to 300 cm. The product is certified by TÜV according to EN 1176-1:2017 and EN 16630:2015.

INCLUSIVE DESIGN:

All products from Rampline are designed to be accessible and attractive for users with reduced function. Rampline recommends mounting the device on a surface that does not obstruct accessibility, and avoiding edges or other obstacles that may hinder some users.

OWNER/INSTALLER RESPONSIBILITY:

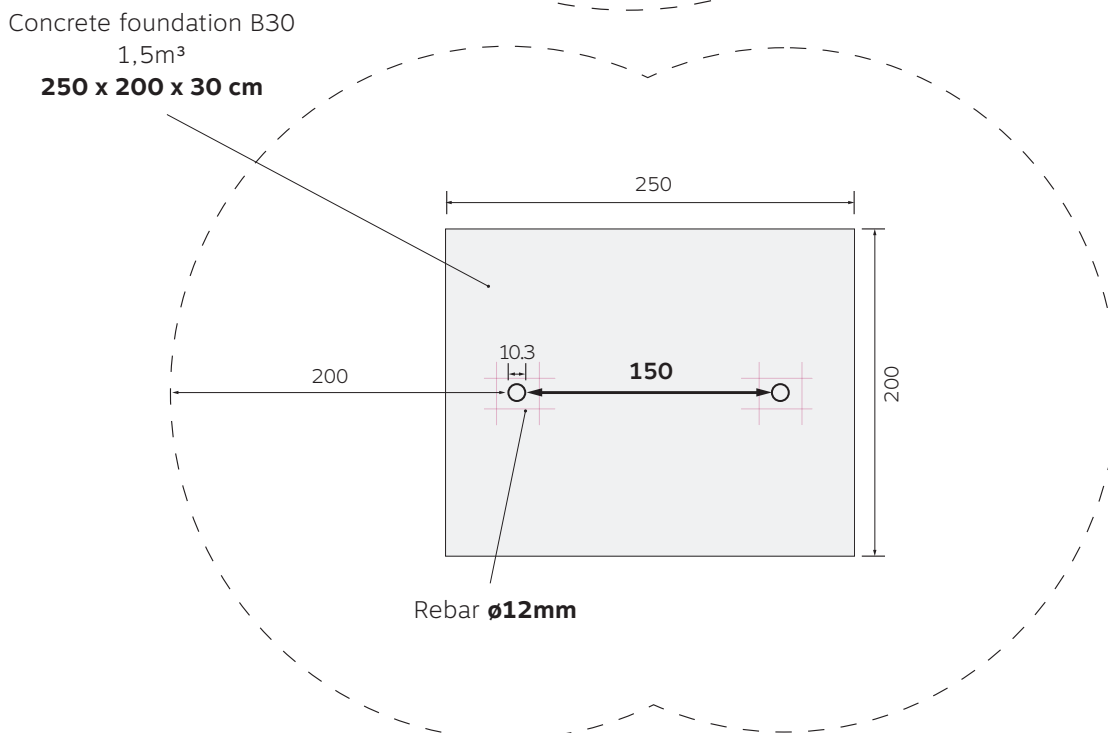
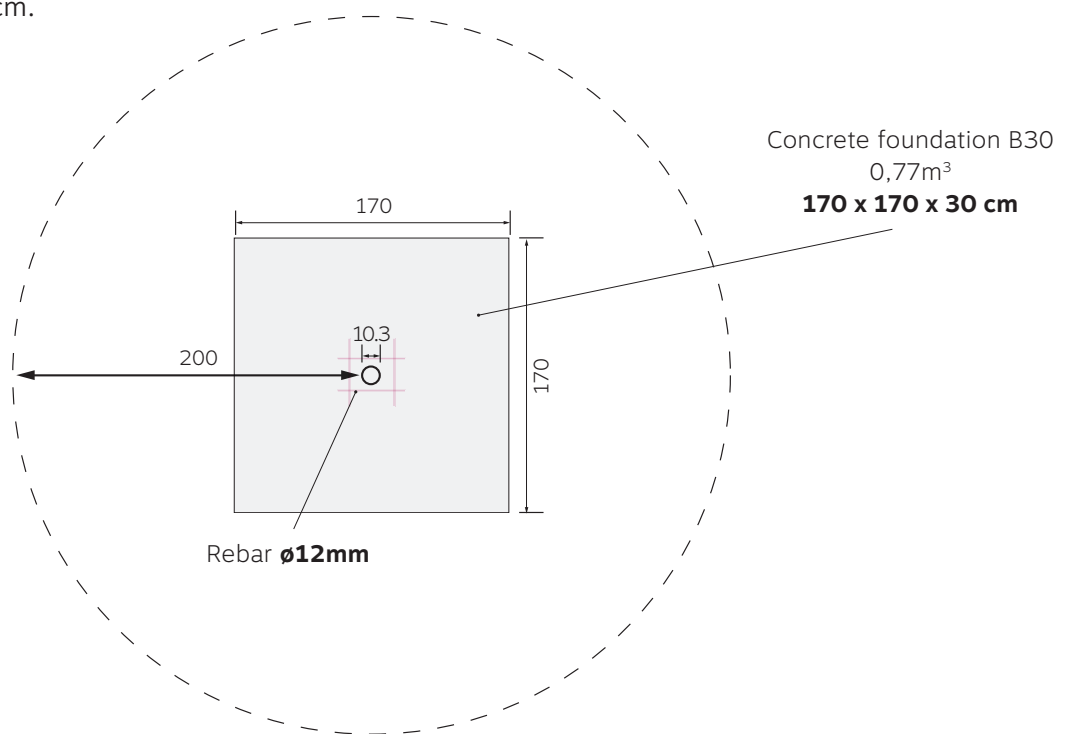
Only components provided with the product should be used. Rampline AS is not responsible for errors, damages or deficiencies that may arise from the use of components not included in the product or not supplied by Rampline AS. The owner is obliged to comply with the maintenance, operation and safety requirements for the device.

SAFETY AREA AND FOUNDATION

Rampit™ Storm requires 200 cm safety area with a shock absorbing ground cover approved for 300 cm critical fall height. The device can share safety area with other equipment. Multiple Rampit Storm™ can be arranged in a group with a minimum distance of 150 cm.

The illustration shows single and twin setups.

All measurements in cm.



CONTENT IN THE PACKAGE

- 1 x Klatrepåle
- 1 x Bakkefeste
- 8 x Muttere

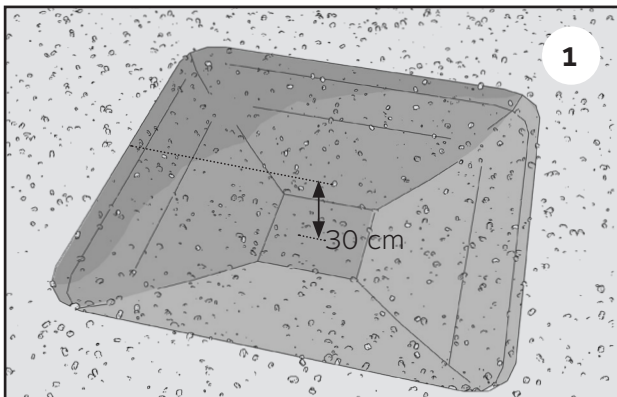
EQUIPMENT NEEDED

- Spirit level
- Spanner 30 mm

ABOUT CASTING THE FOUNDATION

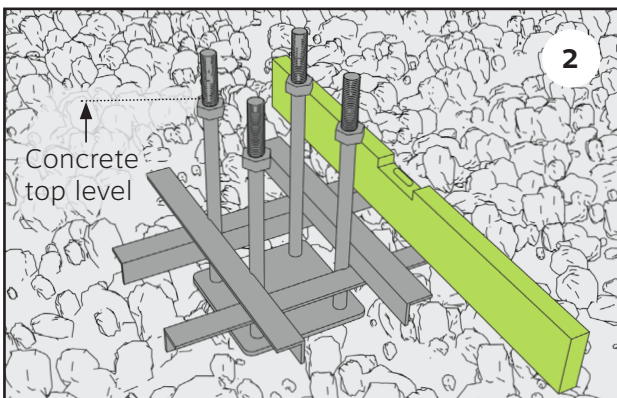
- Use concrete grade minimum B30
- Remember to take into account the thickness of the ground cover (13 cm for wet pour ground cover) when casting the foundation to achieve the same ground level as the for surrounding equipment.
- The concrete must cure for at least 2 days before mounting the device.

CASTING AND MOUNTING



Preparations for casting the foundation.

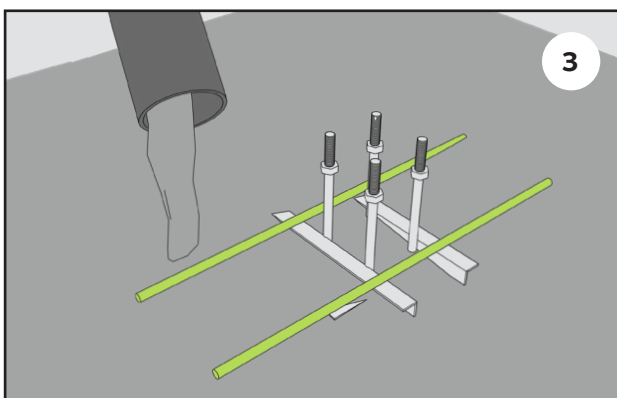
The foundation is easiest casted by excavating a pit that is 30 cm deep in the middle. The top of the foundation should be 13 or 40 cm below the top of what will become the final ground level (13 cm for wet pour ground covers, and 40 cm for loose fill ground covers).



Place the ground anchor.

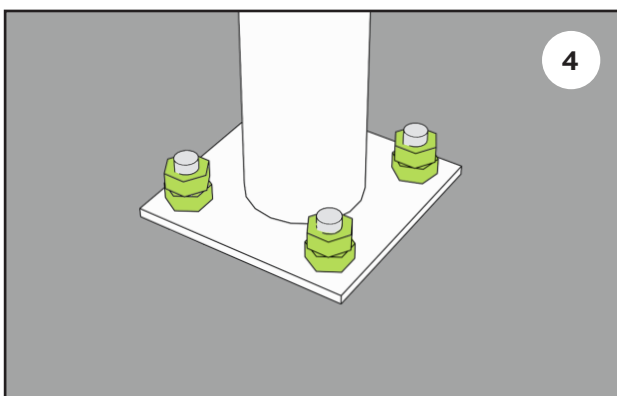
Put the ground anchor in the center of the pit and adjust it to the correct height so that the top nuts of the ground anchor are level with the top of the concrete.

Make sure the anchor is level.



Add reinforcing bars and fill with concrete.

Put 12 mm reinforcing bars on the top L-shaped iron profile of the ground anchor. Fill up with concrete to the top of the ground anchor nuts.

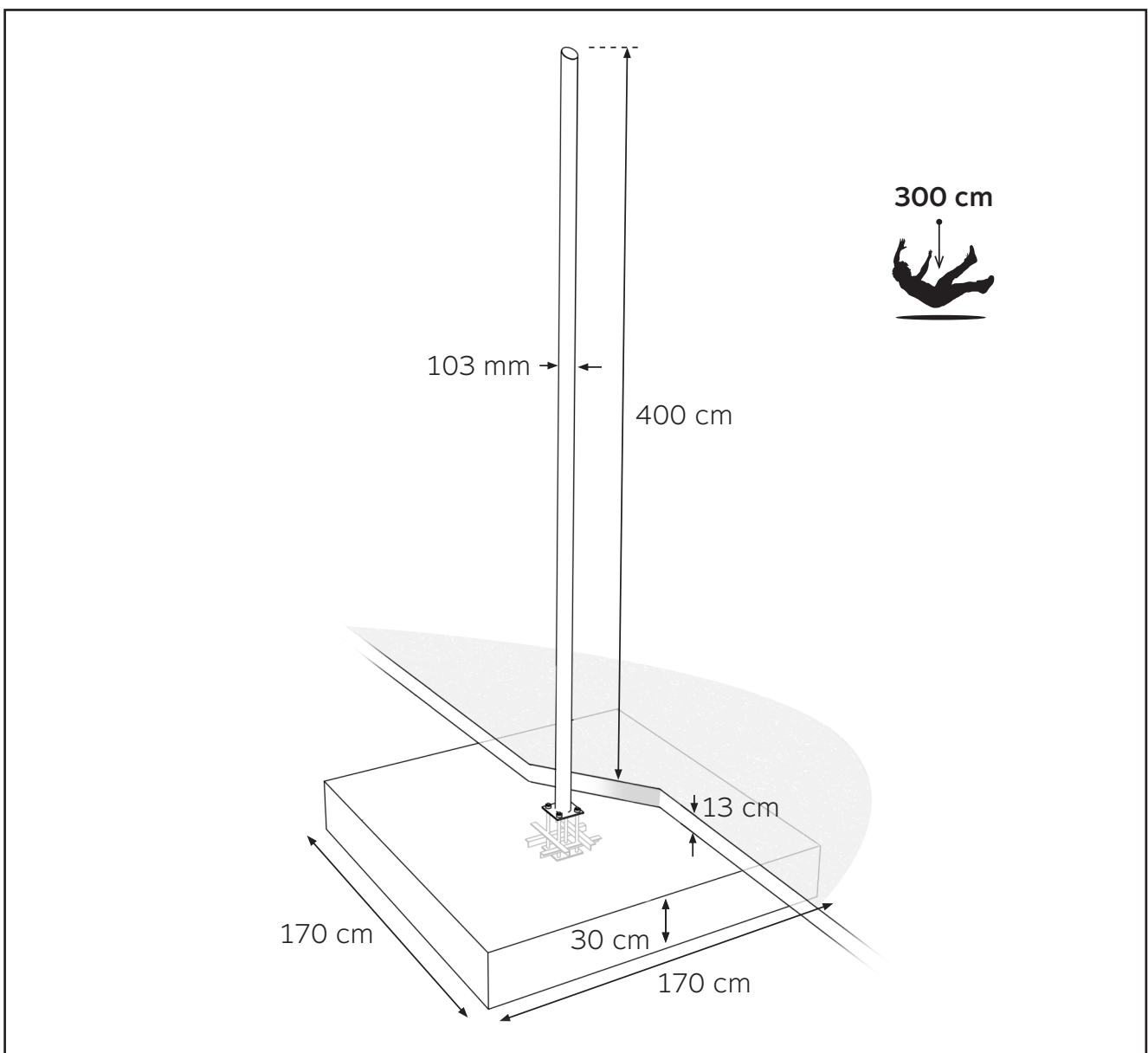


Mount the pole on the ground anchor.

After 2 days of curing, the pole can be mounted. Use double nuts and tighten firmly with the spanner.

WET POUR GROUND COVER

Princoipal drawing for mounting Rampit Storm™ on wet pour ground cover.



LOOSE FILL GROUND COVER

Princoipal drawing for mounting Rampit Storm™ on loose fill ground cover.

