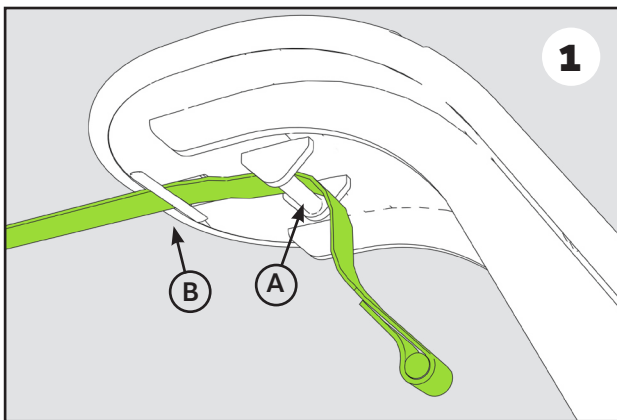
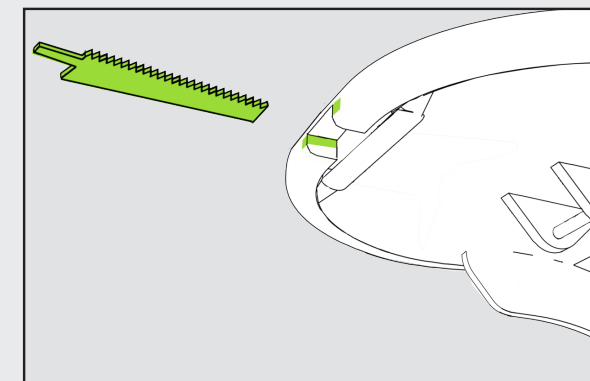


MOUNTING OF SLACKSHIELD™ WEBBING (WIRE REINFORCED)



On the ramp with line anchor:

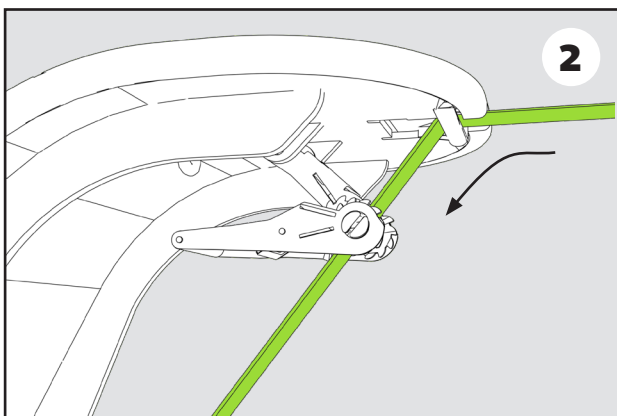
Start by inserting the webbing through the **line anchor (A)** and then through the **guide slot (B)**.



Widen the guide slot if necessary (may be the case on older ramps):

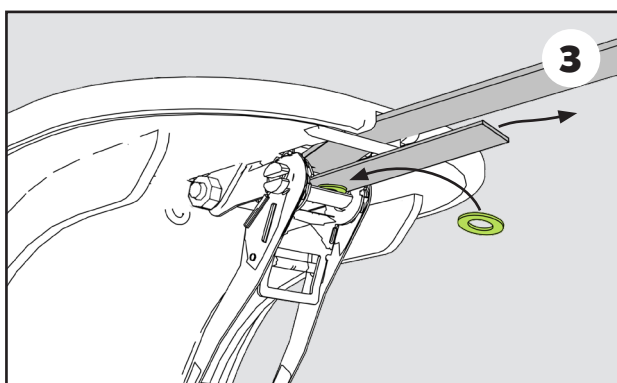
If the guide slot is too tight to pull the webbing through it can be widened by cutting using e.g. a small saw blade.

Do this on both ramps. Don't remove more rubber than required.



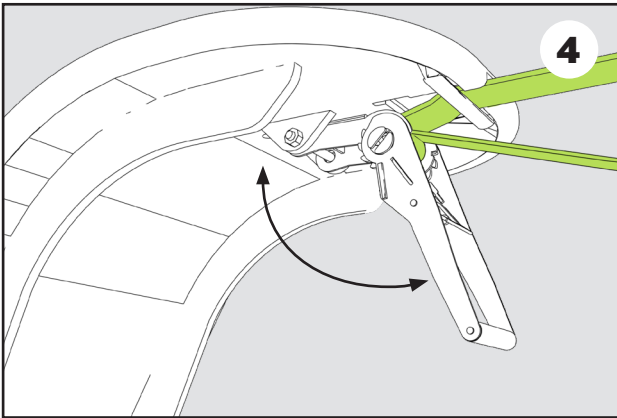
On the ramp with the ratchet:

First insert the webbing through the guide slot and then further through the ratchet slot.



Attach the washer:

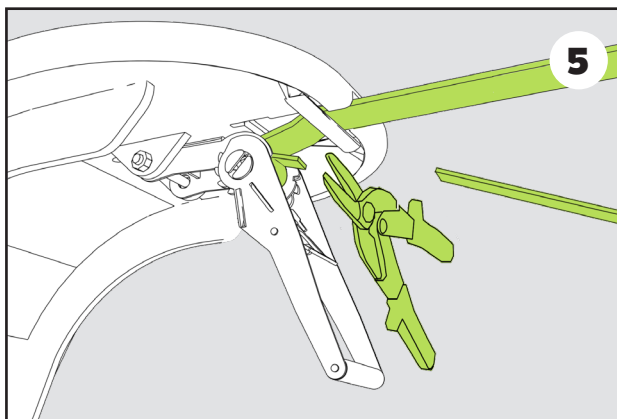
Pull the webbing straight. Press the washer into the ratchet slot to prevent the webbing from slipping when it is tightened for the first time.



Attach the webbing to the ratchet.

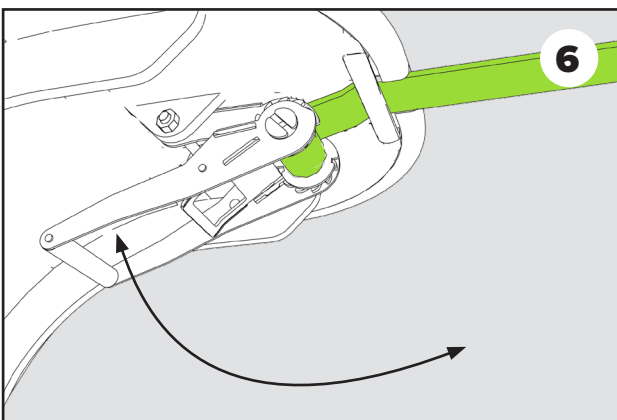
Press the handle forth and back once.

Make sure the webbing is locked with half a turn in the ratchet.



Cut the excess webbing.

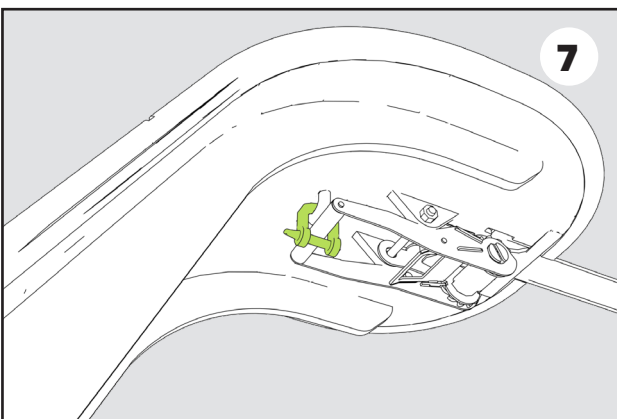
Use tin snips or an angle grinder.



Tighten the webbing with the ratchet.

Pull the ratchet handle back and forth.

Attention! To avoid damaging the ratchet only manual force must be applied.



Attach the shackle.

Pull the ratchet handle fully backwards and secure it with the shackle.