

MOUNTING RAMPLINE® SLACKLINE

Rampline® Slackline - the original slackline for public spaces

FOR MOUNTING ON
WET POUR GROUND COVERS OR ARTIFICIAL GRASS

rampline®

The product is designed and manufactured in Norway by Rampline

[rampline.com](https://www.rampline.com)

Rampline® Slackline is certified by TÜV according to EN 1176-1:2017 and EN 16630:2015

CONTENT

About the product	3
Product parts	3
Mounting in 4 steps	4
Correct mounted Rampline® slackline	4
Equipment needed for mounting	4
Safety area	5
Casting the concrete foundations	6
Placing on wet pour ground covers or artificial grass	7
Attaching the ramps	8
Mounting the SlackShield™-webbing	9
Mounting PVC-coated webbing	10

ABOUT RAMPLINE SLACKLINE

RAMPLINE® SLACKLINE

The equipment is designed for balance play and balance training for all age groups.

MOUNTING

The equipment is mounted to concrete foundations using expansion bolts. Mounting time approx 60 min, 1 person. This description is for mounting on **artificial grass** or **wet pour ground covers**.

SAFETY

The equipment requires a safety area with a ground cover with shock absorbing properties approved for a critical fall height of 100 cm.

The equipment is certified by TÜV according to EN 1176-1:2017 and EN 16630:2015.

OWNERS RESPONSIBILITIES

Only components that's included at delivery are to be used. Rampline AS is not responsible for damage or defects that may occur if using components that are not included or not supplied by Rampline.

The owner is obliged to comply with the necessary safety requirements.

PRODUCT PARTS

Parts	
2 x steel ramps covered with natural rubber, integrated ratchet	Height: Version for wet pour ground covers and artificial grass - 51 cm
4 x expansion bolts	145x12 mm
4 x expansion bolts	115x10 mm
4 x expansion bolts	60 x 10 mm
1 x shackle	(for locking the ratchet)
1 x SlackShield™ webbing	Vandal proof webbing

MOUNTING IN 4 STEPS

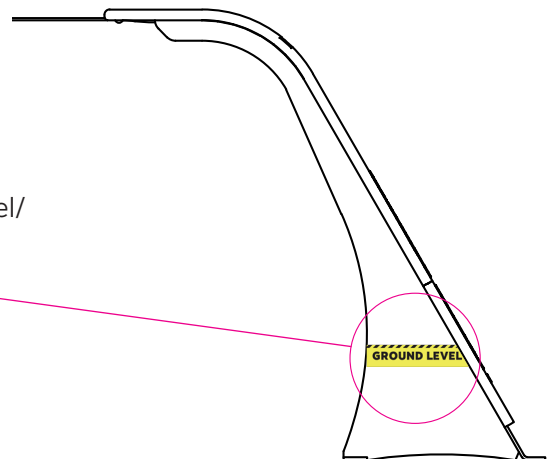
- 1) Cast the foundations
- 2) Mount the ramps
- 3) Lay the ground cover
- 4) Mount the webbing

CORRECTLY MOUNTED SLACKLINE



The ramps are to be placed facing each other on a straight line.

The ramps are marked with **ground level**, which shows the level/height of the shock absorbing layer.



EQUIPMENT NEEDED FOR MOUNTING

- A small sledgehammer
- Measuring tape
- Wallpaper knife
- Concrete drill bits 10 mm and 12 mm
- Ratchet wrench
- Sockets 17 mm and 19 mm
- Tin snips or an angle grinder

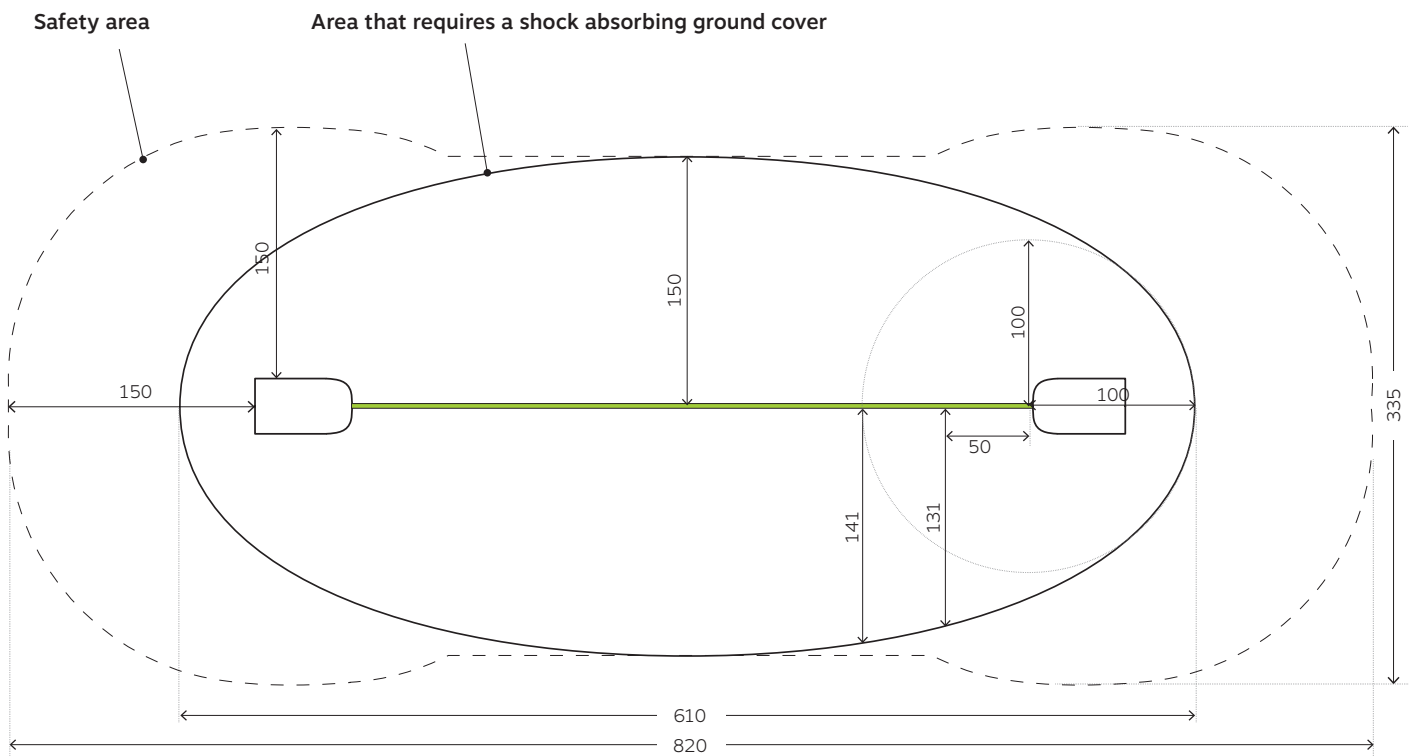
SAFETY AREA

Rampline® slackline requires a 150 cm safety area.

A part of the area - around the webbing itself - requires a shock absorbing ground cover approved for a 100 cm critical fall height.

The safety area can overlap with the safety area of adjacent equipment according to EN 1176-1:2017/4.2.8.2.5

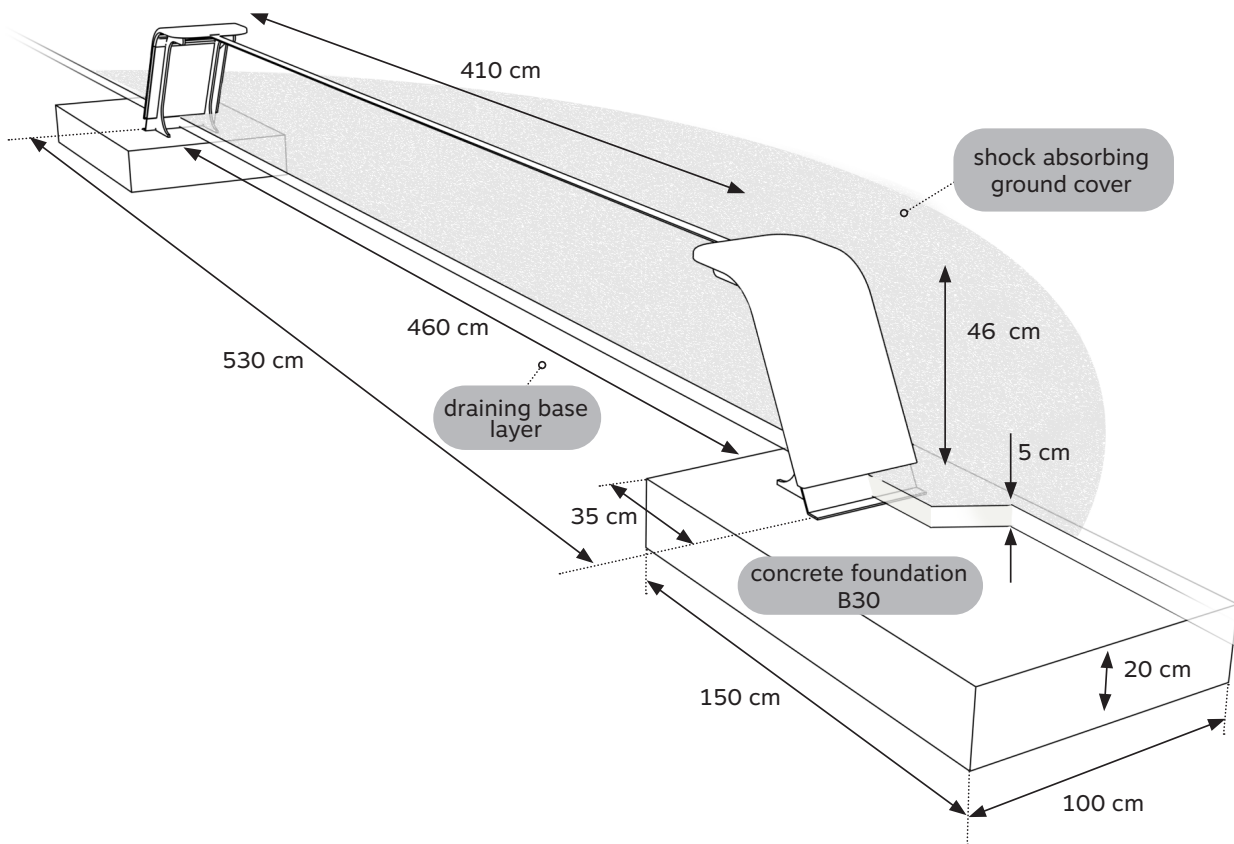
All units are cm.



CASTING OF CONCRETE FOUNDATIONS

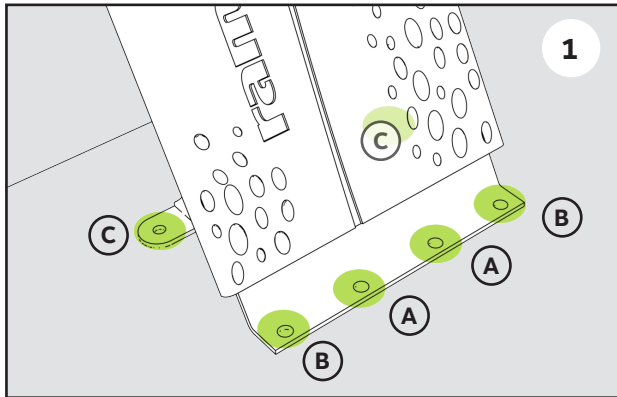
- Use minimum concrete grade B30
- Place a reinforcement grid in the foundation at the attachment point
- Use a trowel to smooth the surface at the attachment points

PLACING ON WET POUR GROUND COVERS OR ARTIFICIAL GRASS



Minimum dimensions of the foundations: **150 cm x 100 cm x 20 cm**

ATTACHING THE RAMPS

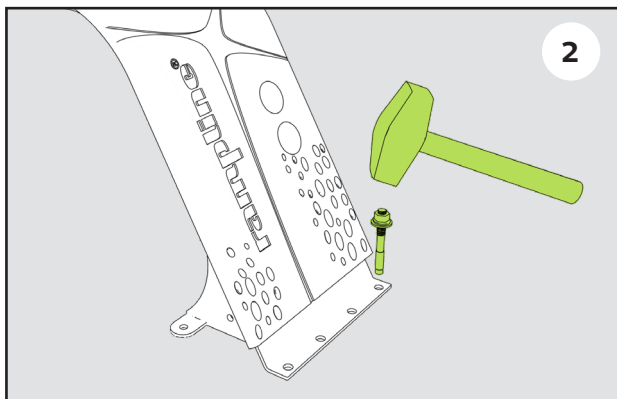


Before you start:

Placing the expansion bolts

Each ramp has 6 bolts to be placed as follows:

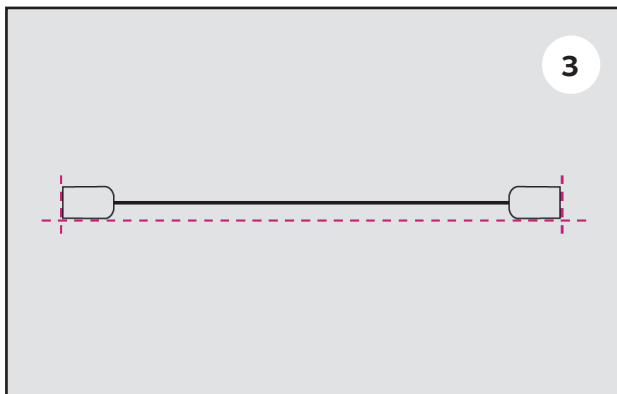
- (A) 10/115 mm bolts in the middle holes.
- (B) 12/145 mm bolts in the outer holes.
- (C) 10/60 mm bolts in the holes on each side in the front.



Both ramps are to be attached simultaneous.

Start by attaching one bolt on each ramp.

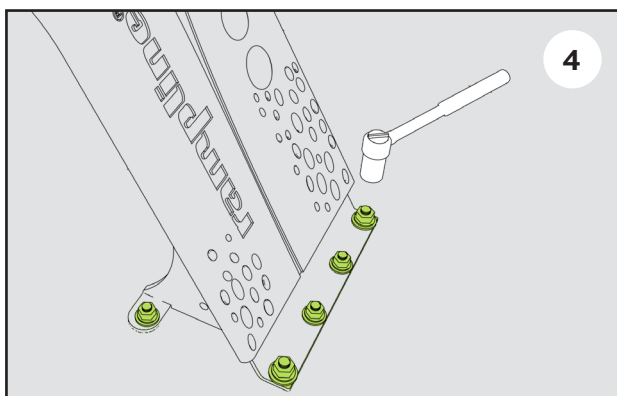
- 1) Drill one of the holes for each ramp.
- 2) Insert the correct bolt using a small sledge hammer.
- 3) Tighten the bolt slightly with a socket wrench.



Before you continue:

Make sure the two ramps are parallel on a straight line.

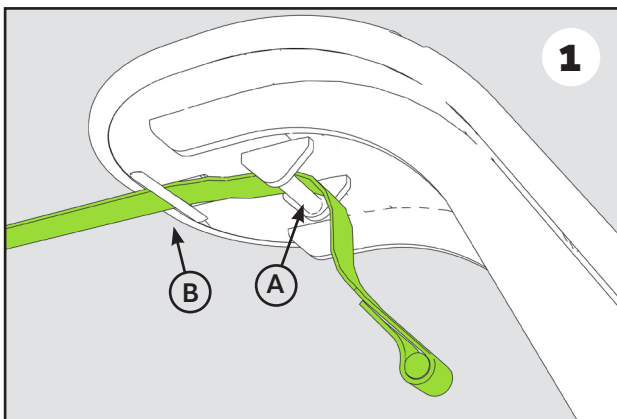
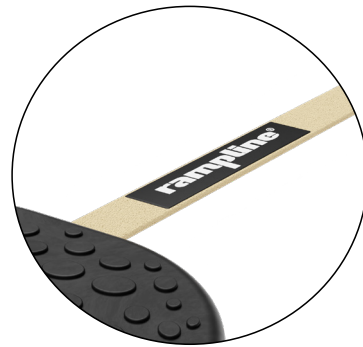
Correct the direction if necessary.



Attach all bolts.

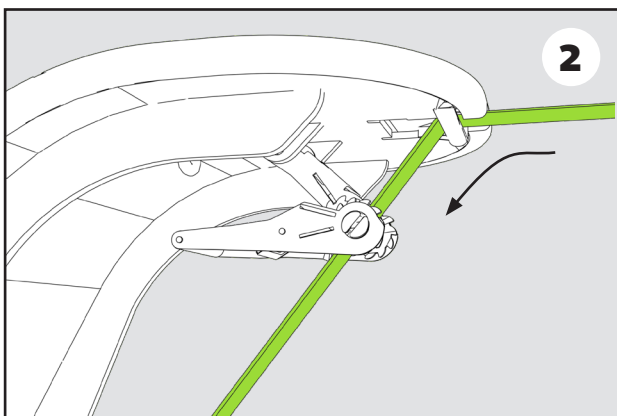
Make sure all bolts are securely tightened.

MOUNTING OF SLACKSHIELD™ WEBBING (WIRE REINFORCED)



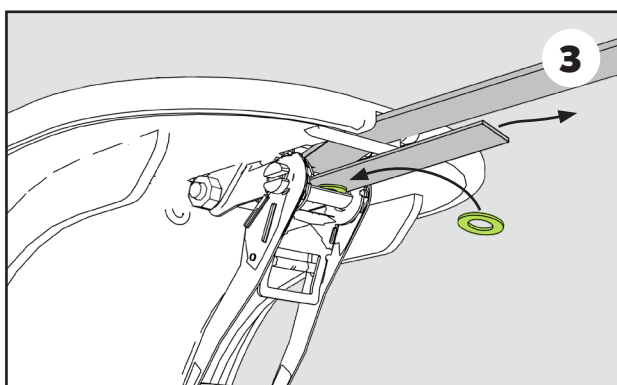
On the ramp with line anchor:

Start by inserting the webbing through the **line anchor (A)** and then through the **guide slot (B)**.



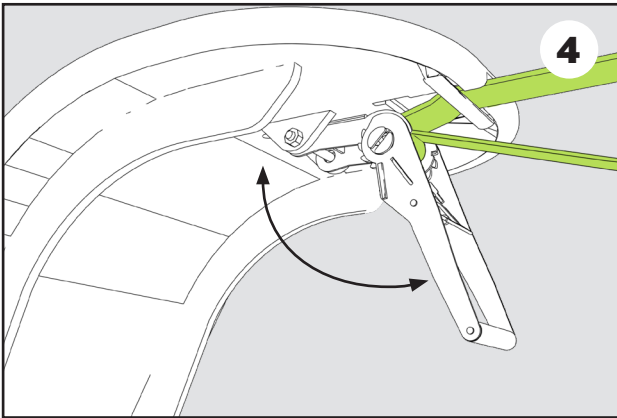
On the ramp with the ratchet:

First insert the webbing through the guide slot and then further through the ratchet slot.



Attach the washer:

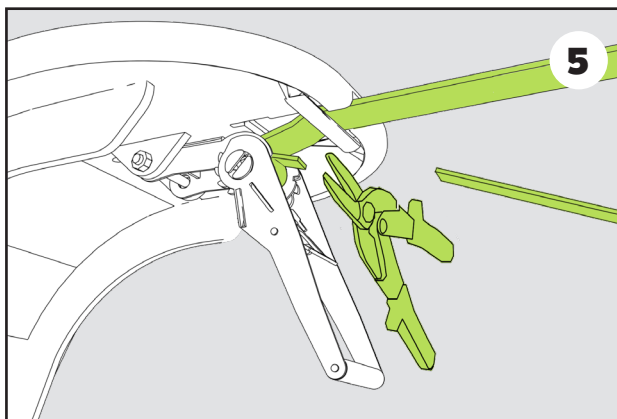
Pull the webbing straight. Press the washer into the ratchet slot to prevent the webbing from slipping when it is tightened for the first time.



Attach the webbing to the ratchet.

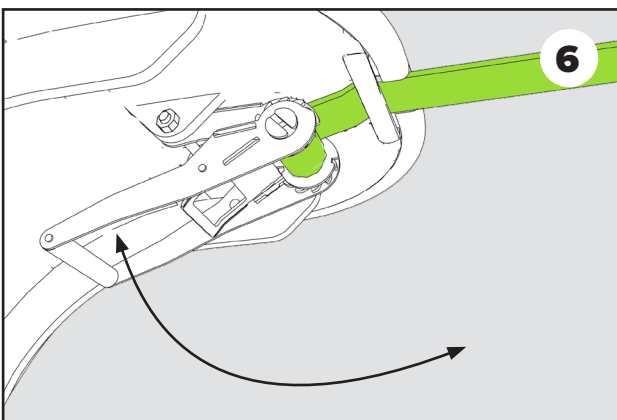
Press the handle forth and back once.

Make sure the webbing is locked with half a turn in the ratchet.



Cut the excess webbing.

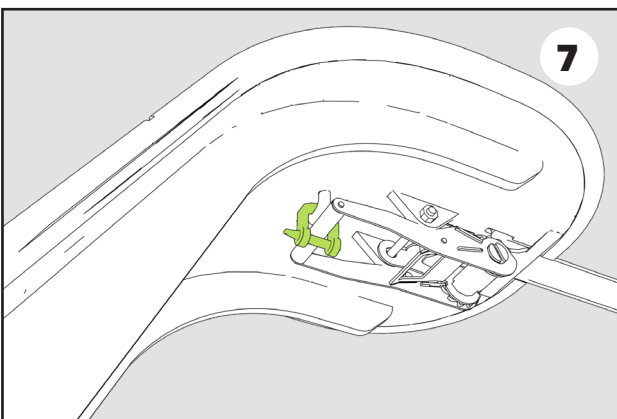
Use tin snips or an angle grinder.



Tighten the webbing with the ratchet.

Pull the ratchet handle back and forth.

Attention! To avoid damaging the ratchet only manual force must be applied.



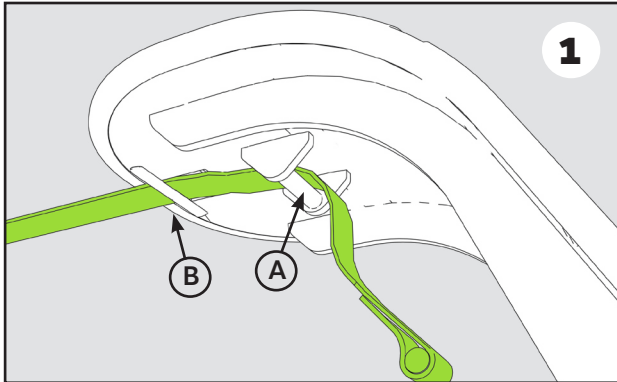
Attach the shackle.

Pull the ratchet handle fully backwards and secure it with the shackle.

MOUNTING POLYESTER/PVC WEBBING (GREEN-YELLOW WEBBING WITH PRINTED LOGO)

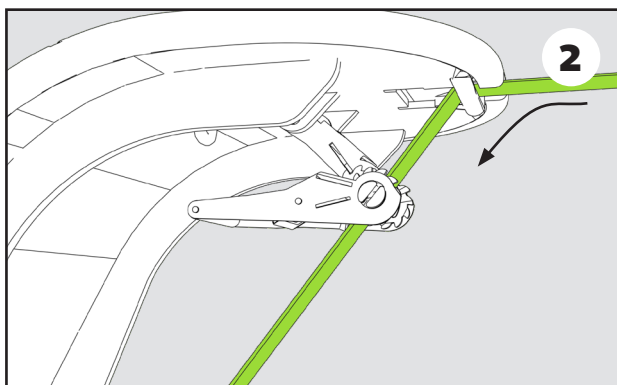


View the instructional video for how to mount the webbing



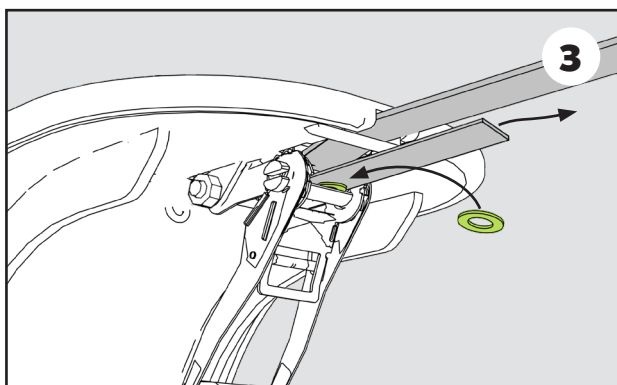
On the ramp with line anchor:

Start by inserting the webbing through the **line anchor (A)** and then through the **guide slot (B)**.



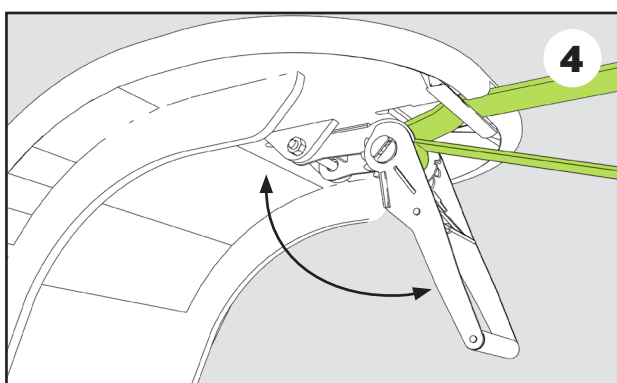
On the ramp with the ratchet:

First insert the webbing through the guide slot and then further through the ratchet slot.



Attach the washer:

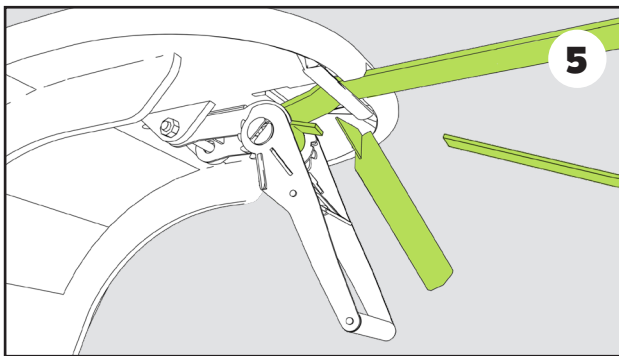
Pull the webbing straight. Press the washer into the ratchet slot to prevent the webbing from slipping when it is tightened for the first time.



Attach the webbing to the ratchet.

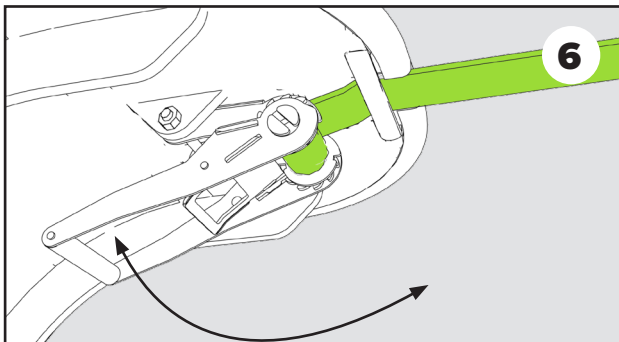
Press the handle forth and back once.

Make sure the webbing is locked with half a turn in the ratchet.



Cut the excess webbing.

Use a sharp knife.



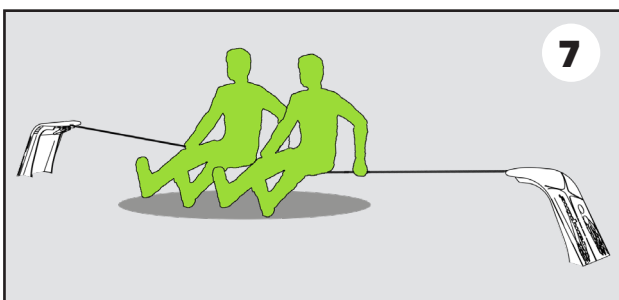
Tighten the webbing with the ratchet.

Pull the ratchet handle back and forth.

Attention! Do not damage the ratchet:

Use manual force only.

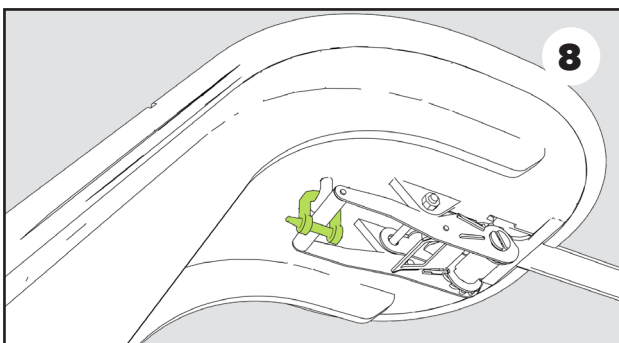
Do not tighten the webbing if the ratchet is filled up (please see section 9).



Put weight on the webbing.

A new webbing needs to be stretched to be able to get tightened enough. This is easiest done by two people sitting on the webbing and rocking with as much weight as possible. Tighten again. Repeat 3 times.

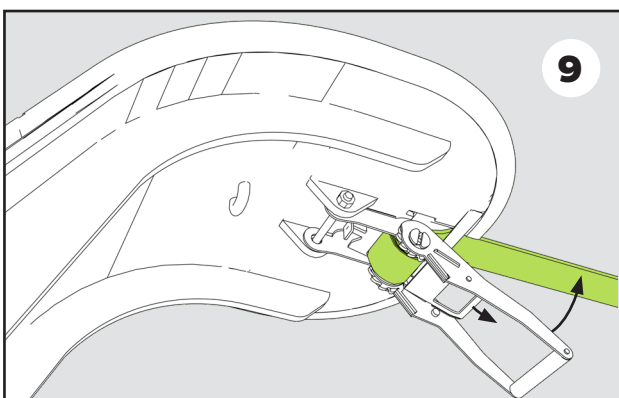
The webbing should be tight!



Attach the shackle.

Pull the ratchet handle fully backwards and secure it with the shackle.

SHORTENING THE WEBBING



After recurrent tensioning the ratchet may be filled up.

Relasing the webbing

Pull the release trigger outwards and push the ratchet handle frontwise until the webbing releases with a cracking sound.

Detach the webbing and repeat the steps 2 - 8 above.