



Certified by TÜV according to EN 1176-1:2017

## BALANCEBUDDY™ BALANCE BEAM

- Description:** Balance beam with shock absorbing natural rubber top with non-slip texture.
- Activity:** Balance play and recreation activities for all age groups.
- Materials:** Stainless and powder coated steel, Accoya wood and natural rubber top with 22 mm thickness.
- Mounting:** Mounted to a concrete foundation with expansion bolts (included). Mounting time approx. 30 min.
- Versions:** 4 versions: Straight or inclined versions, 216 or 316 cm length.
- Safety area:** 150 cm distance from the device. Can share safety areas with other equipment.
- Multiple units:** Multiple devices can be placed in a group with a minimum distance of 23 cm.
- Fall height:** 32 cm. A shock absorbing ground cover approved for 100 cm fall height is recommended, see page 5.

→ Further information, downloads, prices etc, visit [rampline.com/en/balancebuddy](https://rampline.com/en/balancebuddy)



Balancebuddy™ is a stylish **balance beam** made of maintenance free Accoya® wood.

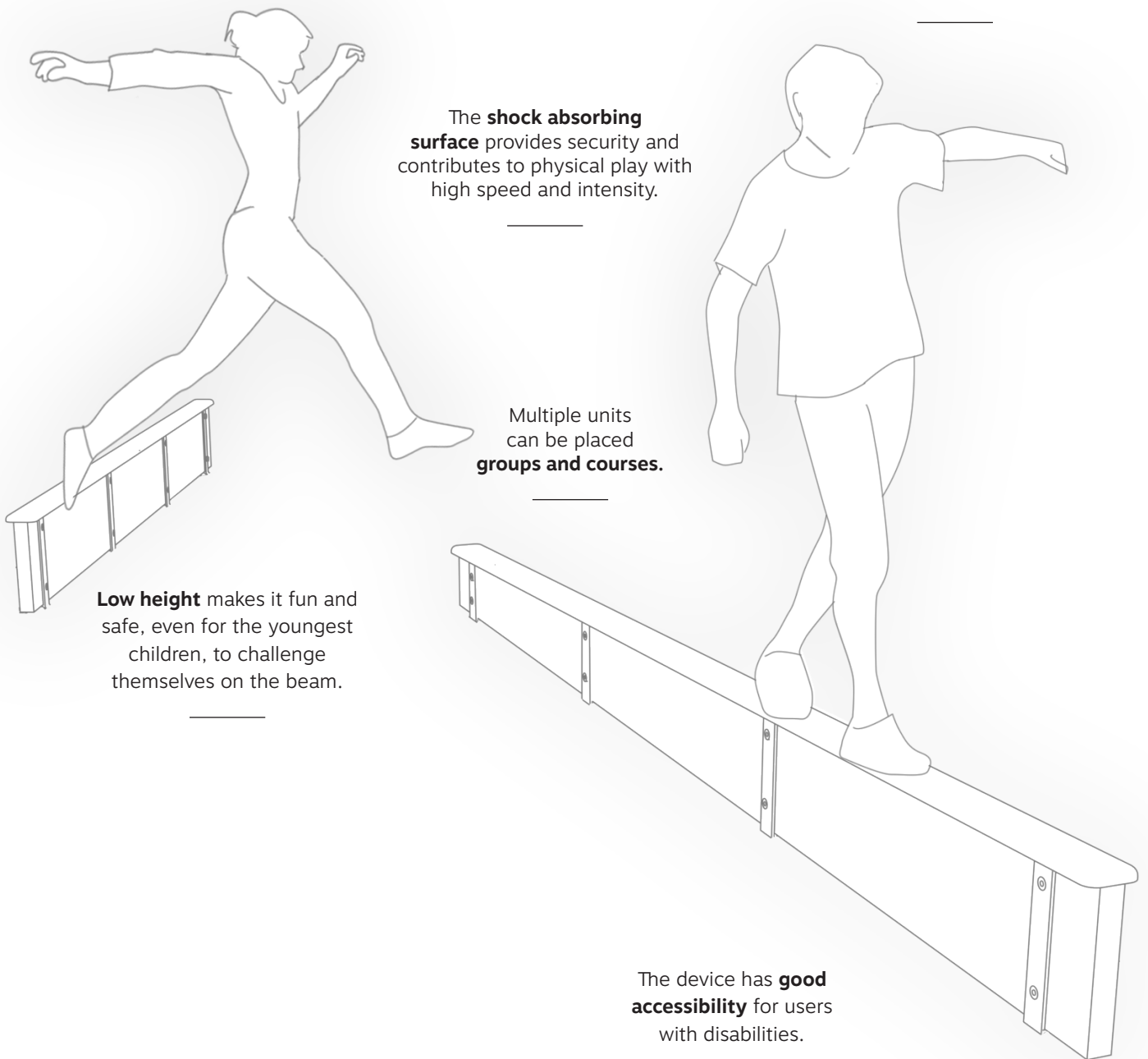
Age span from **2 år to adults.**

The **shock absorbing surface** provides security and contributes to physical play with high speed and intensity.

Multiple units can be placed **groups and courses.**

**Low height** makes it fun and safe, even for the youngest children, to challenge themselves on the beam.

The device has **good accessibility** for users with disabilities.



## VERSIONS



### BALANCEBUDDY™ 216 STRAIGHT

**Length:** 216 cm  
**Height/Fall height:** 32 cm  
**Width:** 10 cm  
**Weight:** 31 kg  
**Area:** 14.3 m<sup>2</sup>



### BALANCEBUDDY™ 216 INCLINED

**Length:** 216 cm  
**Height:** 18-32 cm  
**Fall height:** 32 cm  
**Width:** 10 cm  
**Weight:** 43 kg  
**Area:** 14.3 m<sup>2</sup>



### BALANCEBUDDY™ 316 STRAIGHT

**Length:** 316 cm  
**Height/Fall height:** 32 cm  
**Width:** 10 cm  
**Weight:** 27 kg  
**Area:** 17.2 m<sup>2</sup>



### BALANCEBUDDY™ 316 INCLINED

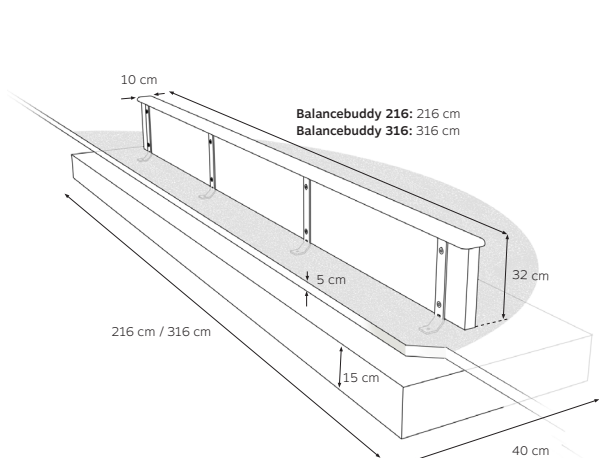
**Length:** 316 cm  
**Height:** 18-32 cm  
**Fall height:** 32 cm  
**Width:** 10 cm  
**Weight:** 40 kg  
**Area:** 17.2 m<sup>2</sup>

## SUITABLE GROUND COVERS

- |   |   |  |
|---|---|--|
| <input checked="" type="checkbox"/> Wet pour rubber or cork | <input checked="" type="checkbox"/> Grass/reinforced grass* | <input type="checkbox"/> Paving stones |
| <input checked="" type="checkbox"/> Artificial grass        | <input checked="" type="checkbox"/> Sand*                   | <input type="checkbox"/> Wooden deck   |
|   | <input checked="" type="checkbox"/> Wood chips*             |  |

\*216/316 straight versions only

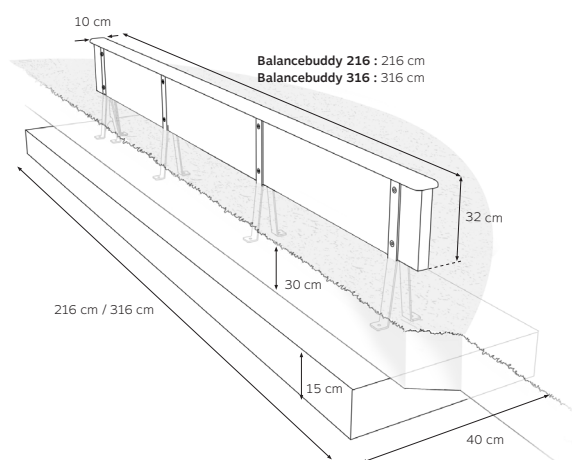
## MOUNTING ON DIFFERENT GROUND COVERS



### MOUNTING ON WET POUR COVERS OR ARTIFICIAL GRASS

Balancebuddy is mounted on a concrete foundation with expansion bolts (included).

Mounting depth: 5 cm



### MOUNTING ON GRASS OR LOOSE FILL COVERS (Wood chips, sand etc.)

Balancebuddy is mounted on a concrete foundation with expansion bolts.

A version with extended legs (straight versions only) is used when mounted on grass or loose fill ground covers.

Mounting depth: 30 cm

## FOUNDATION

### Balancebuddy 216 straight/inclined:

216 x 40 cm, thickness 15 cm

Concrete grade min. B30

### Balancebuddy 316 straight/inclined:

316 x 40 cm, thickness 15 cm

Concrete grade min. B30

## SAFETY AREA, DISTANCES, SHOCK ABSORBING GROUND COVER

Balancebuddy™ requires a 150 cm safety area.

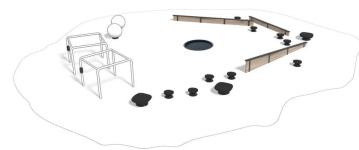
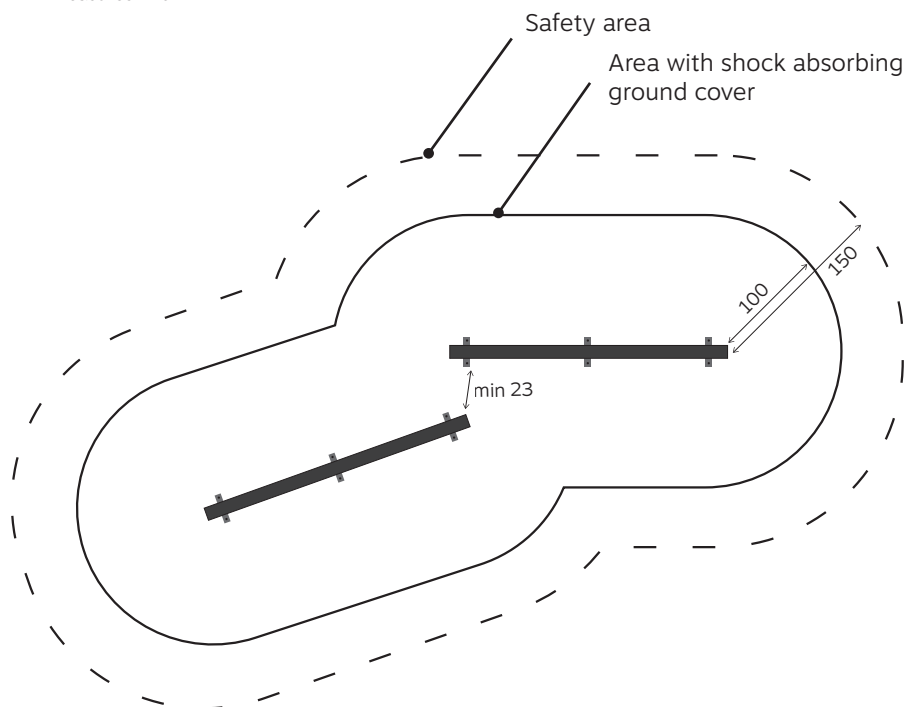
Even though the fall height does not exceed 60 cm a shock absorbing ground cover approved for a 100 cm fall height is recommended within 100 cm distance from the device.

The device can share safety areas with other equipment.

Multiple units can be placed in groups.

Minimum distance between units is 23 cm.

Measures in cm



### THE BALANCE PARK

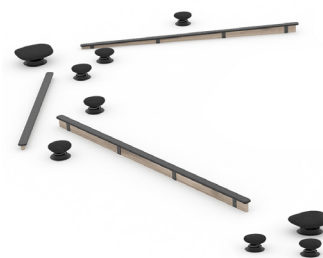
The Balancebuddy is suitable as a part of Rampline's balance park concept, where equipment is combined in groups and courses.

The balance park provides more ways in which the equipment can be used, and effectively triggers play and physical activity.

→ See balance park samples at [rampline.com/balanceparks](https://rampline.com/balanceparks)

⊕ Rampline can help you develop an exciting activity area adapted to the user group in mind.

Get in touch with us on [contact@rampline.no](mailto:contact@rampline.no)



### LOWER HEIGHT FOR THE YOUNGEST

A course can be adapted to the smallest children by lowering the beams below standard height. This is easiest done by placing the foundations deeper.

⊕ For more tips and advice please get in touch with us on [contact@rampline.no](mailto:contact@rampline.no)